

WG

Willis & Gambier

Thank you from Willis & Gambier

For a chance to win a Love 2 Shop voucher simply post a picture of your new product on your preferred social channels tagging Willis & Gambier using the hashtag #ShareYourStyle and #WillisGambier . One winner will be selected at random each month.

To view our full terms and conditions please visit www.willisgambier.co.uk

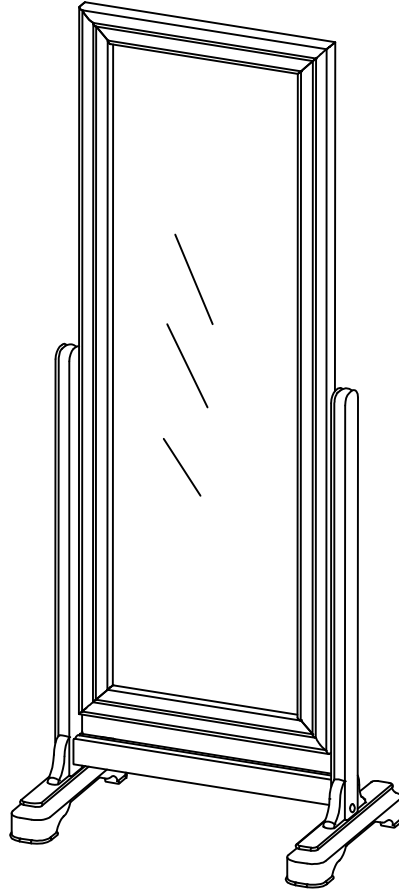
Are you happy with your purchase?

Yes: That's great, we would love to hear more from you. Please leave us a review on our social media channels. Your feedback will be greatly appreciated.

No: If for any reason there is something missing, indifferent or incorrect with your order, please contact the retailer you purchased the item from. We will work with the retailer to resolve your issue as quickly as possible.



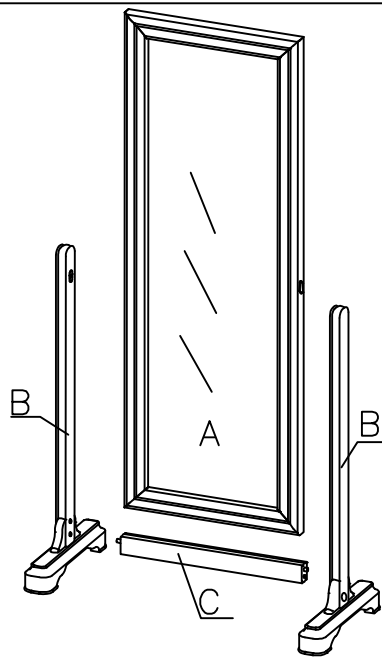
Antoinette CollectionCheval Mirror



Step By Step Assembly Instructions

PRE-ASSEMBLY PREPARATION

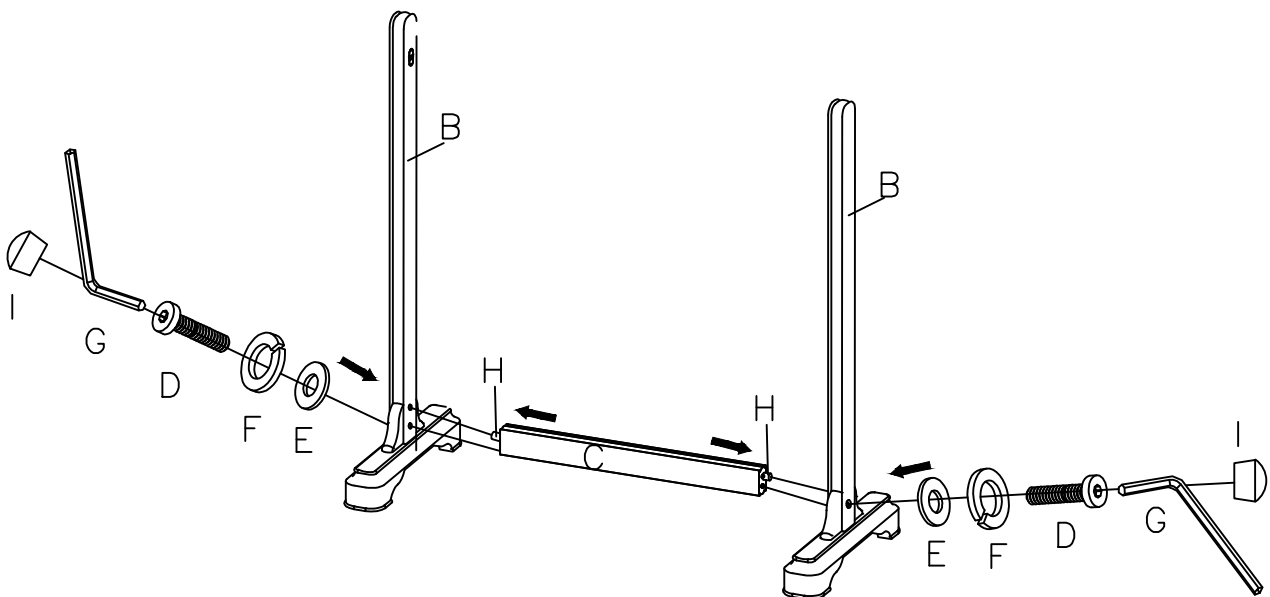
1. Please check the part contents before attempting to assemble this product. A full checklist of components is given in this leaflet. If any components are missing, please contact the retailer your nearest stockist.
2. This product takes approximately 20 MINUTES to assemble with 2 PEOPLE.
3. The fittings pack contains SMALL ITEMS which should be KEPT AWAY FROM YOUNG CHILDREN.
4. Read this leaflet in full before commencing assembly.
5. You will require a cross head screwdriver to assemble this product. This is not provided.



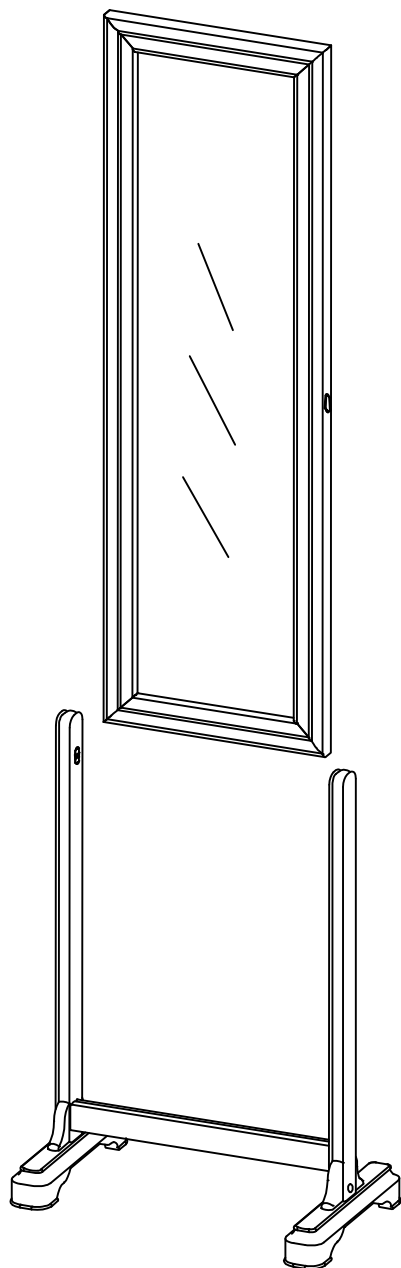
Panel and fittings identification

Item	Description	qty.	Item	Description	qty.	Item	Description	qty.
A	Mirror Frame	1	B	Mirror Support Leg	2	C	Rail	1
D	Bolt	2	E	Flat Washer	2	F	Spring Washer	2
G	Allen Key	1	H	Dowel	2	I	Wood Plug	2

Step ① Insert two dowels (H) into the ends of the rail (C), this will assist in the alignment of the rail attached to the Support Legs (B) as shown below diagram, using Flat Washers (E), Spring Washers (F) and Bolts (D), tighten by hand at first, securely tighten with Allen Key (G). Be sure all bolts are fully tightened then cover the screw holes with the wood plugs (I).



Step ② Slide the mirror into the catches attached to the uprights. The assembly is now complete.



Important Note
From time to time the nuts on the rail may need tightening periodically due to the mirror movement.