

# WG

Willis & Gambier

## Thank you from Willis & Gambier

For a chance to win a Love 2 Shop voucher simply post a picture of your new product on your preferred social channels tagging Willis & Gambier using the hashtag #ShareYourStyle and #WillisGambier . One winner will be selected at random each month.

To view our full terms and conditions please visit [www.willisgambier.co.uk](http://www.willisgambier.co.uk)

### Are you happy with your purchase?

*Yes:* That's great, we would love to hear more from you. Please leave us a review on our social media channels. Your feedback will be greatly appreciated.

*No:* If for any reason there is something missing, indifferent or incorrect with your order, please contact the retailer you purchased the item from. We will work with the retailer to resolve your issue as quickly as possible.





Willis & Gambier

## CARING FOR YOUR FURNITURE

Congratulations on buying your piece of Willis & Gambier furniture, you have received a piece of furniture to be proud.

Taking good care of your hardwood furniture ensures its longevity.

### **General Care**

Dust frequently with a cloth that attracts rather than scatters dust.

Dining Tables should be left extended for the first few months to avoid uneven shading.

Any objects on the surface need to be moved regularly to avoid shading. I.e. Lamps etc...

Never leave spillages. Remove them immediately with a blotting action.

For protection against heat, quality tablemats and cloths should always be used. Take care that no area of the plate or dish overhangs the tablemat.

When writing, a protective mat should be used to protect the surface from marking.

Furniture will endure most temperatures in the modern home. However it should be positioned as far away from radiators, direct sunlight or other forms of direct heat sources, as possible.

Avoid extremes in humidity. This can cause wood to warp and loosen glues. Keep furniture away from air conditioning units.

Small tables should not be used for sitting or standing on.

It is always advisable to level furniture when placing it. This will ensure wardrobe doors are level and removes undue pressures on joints.

Never drag furniture - always lift it.

### **Metal Handles and Fittings.**

Metal polish should not be used as the fittings have their own protective lacquer to prevent tarnishing.

### **Lacquered wood.**

A gentle wipe with a lint free cleaning cloth, in the direction of the grain, is all that is required to maintain the appearance of the lacquered wood.



Willis & Gambier

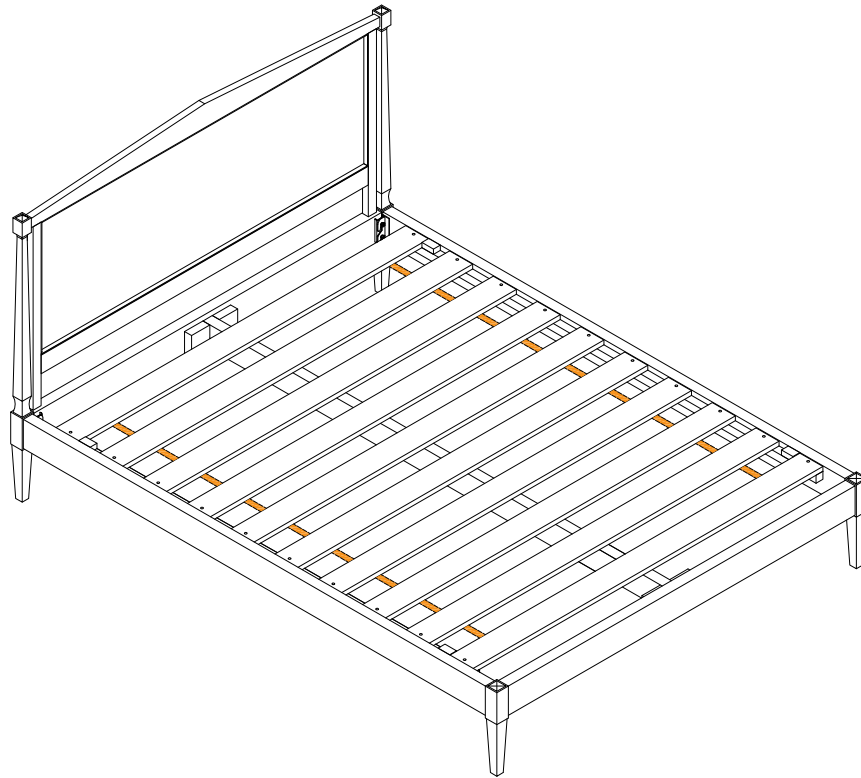
## Atelier Bedroom Collection

Low end bed 135(Product Code AT/1000W)

Low end bed 150(Product Code AT/1001W)

Low end bed 180(Product Code AT/1002W)

---



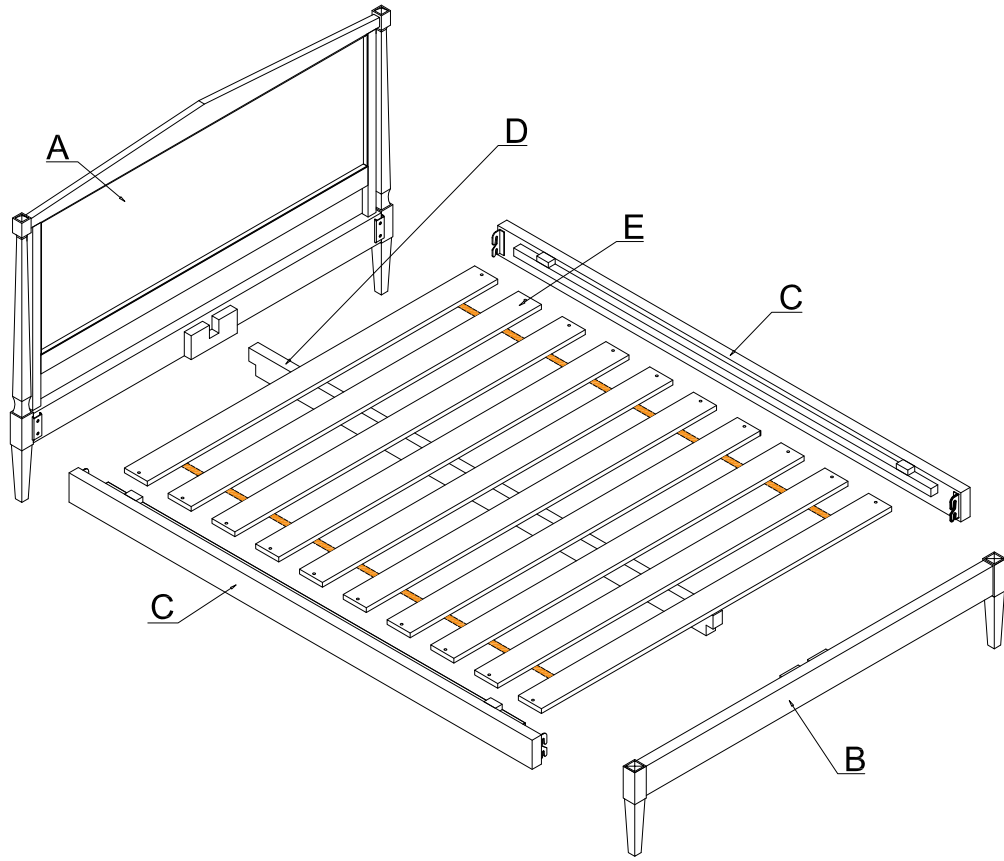
---

# Step By Step Assembly Instructions

---

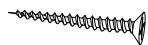
## PRE-ASSEMBLY PREPARATION

1. Please check the pack contents before attempting to assemble this product. A full checklist of components is given in this leaflet. If any components are missing, please contact the retailer from whom you bought this product.
2. This product is **HEAVY**, it should be assembled as near as possible to the point of use. **TAKE CARE WHEN LIFTING** to avoid personal injury and (or) damage to the product.
3. This product takes approximately **45 MINUTES** to assemble with **2 PEOPLE**.
4. The fittings pack contains **SMALL ITEMS** which should be **KEPT AWAY FROM YOUNG CHILDREN**.
5. Read this leaflet in full before commencing assembly .
6. You will require a crosshead screwdriver , an open ended spanner (Provided) and a 11mm spanner (Not provided) to assemble this product.



### Panel and Fittings Identification

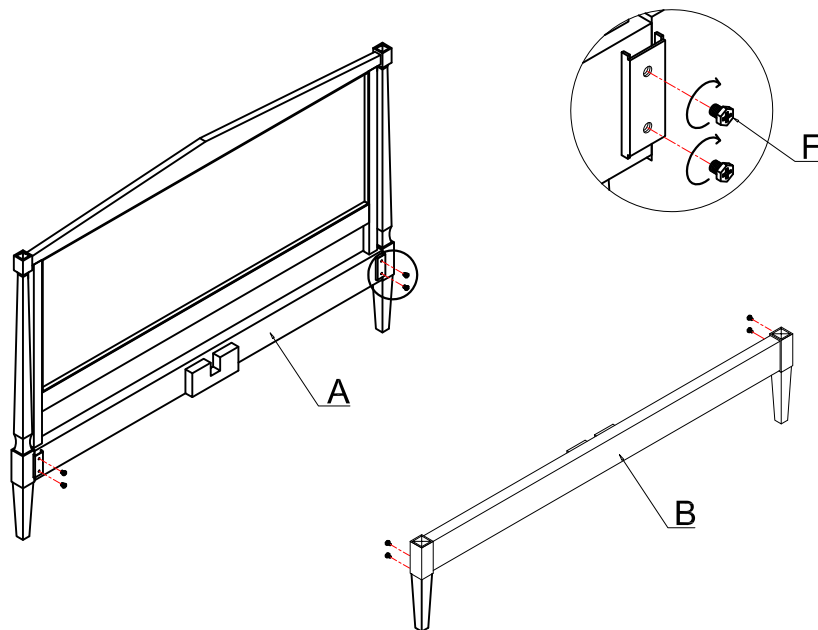
Item	Description	Qty	Item	Description	Qty	Item	Description	Qty
A	Headboard	1	B	Footboard	1	C	Side Rail	2
D	Centre Rail	1	E	Slat	10	F	15mm Bolt	8
G	40mm CSK Screw	20	H	Open Ended Spanner	1			



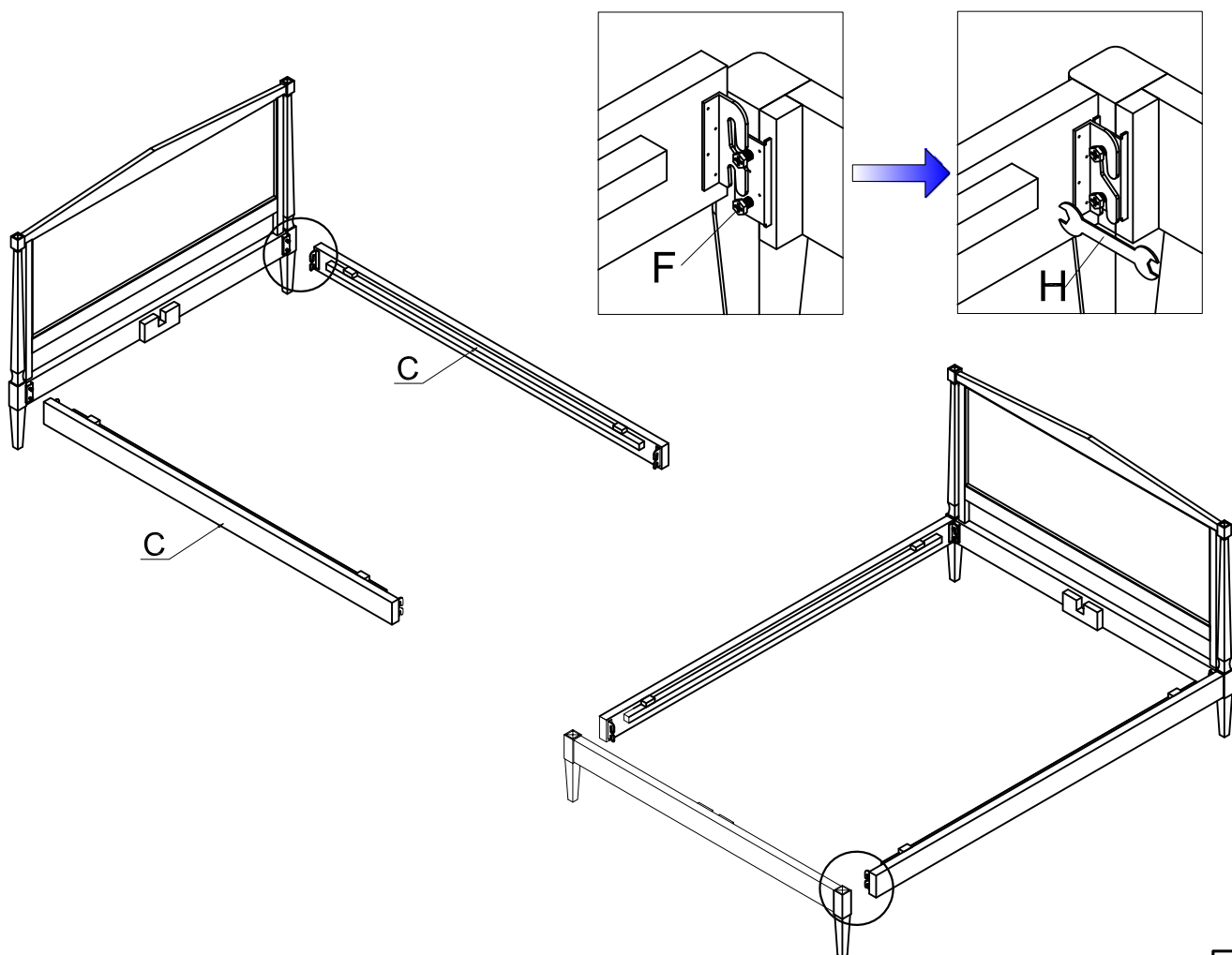
**Step 1** Apply bolt F (x8) to heaboard and footboard.

Fittings

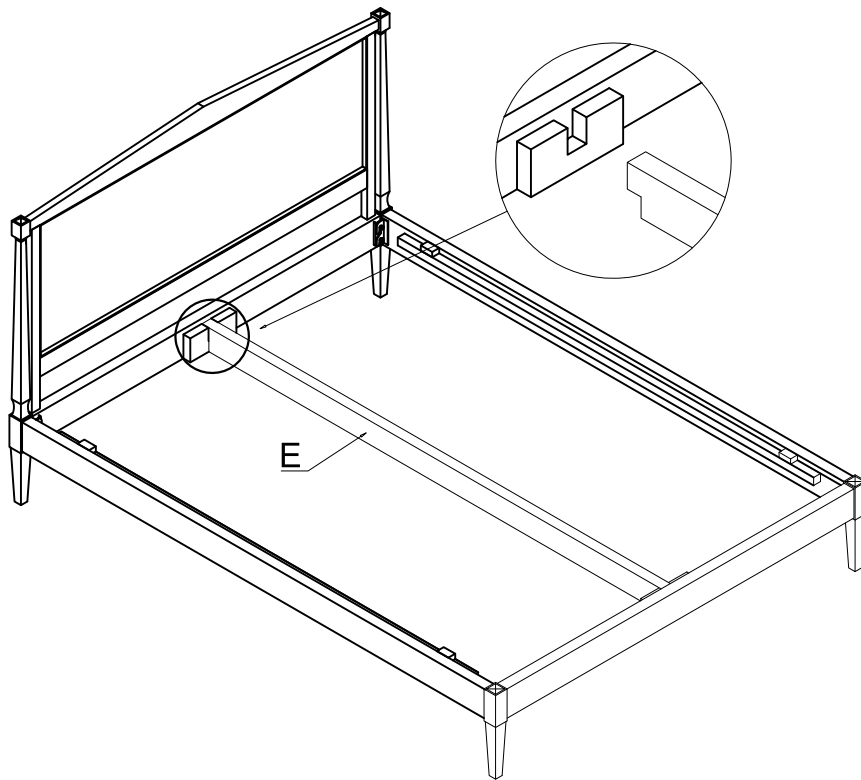
 F x 8



**Step 2** Slot Side rail onto headboard and footboard.



**Step 3** Apply Centre rail .



**Step 4** Apply Slats and screw down.

Fittings

 G x 20

