

# WG

Willis & Gambier

## Thank you from Willis & Gambier

For a chance to win a Love 2 Shop voucher simply post a picture of your new product on your preferred social channels tagging Willis & Gambier using the hashtag #ShareYourStyle and #WillisGambier . One winner will be selected at random each month.

To view our full terms and conditions please visit [www.willisgambier.co.uk](http://www.willisgambier.co.uk)

### Are you happy with your purchase?

*Yes:* That's great, we would love to hear more from you. Please leave us a review on our social media channels. Your feedback will be greatly appreciated.

*No:* If for any reason there is something missing, indifferent or incorrect with your order, please contact the retailer you purchased the item from. We will work with the retailer to resolve your issue as quickly as possible.



---

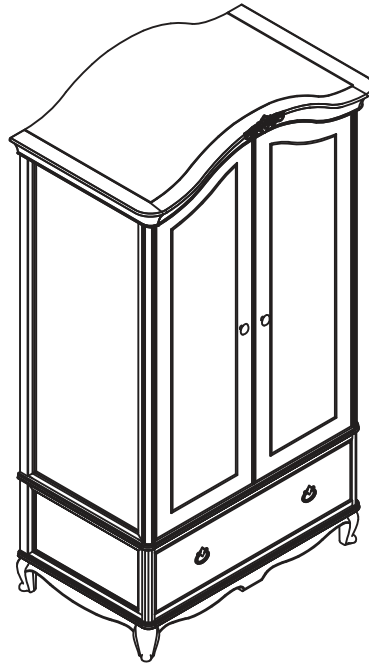
WILLIS & GAMBIER

lifestyle furniture collections

## Camille Bedroom Collection

Double Wardrobe (Product Code CA/3380N)

---



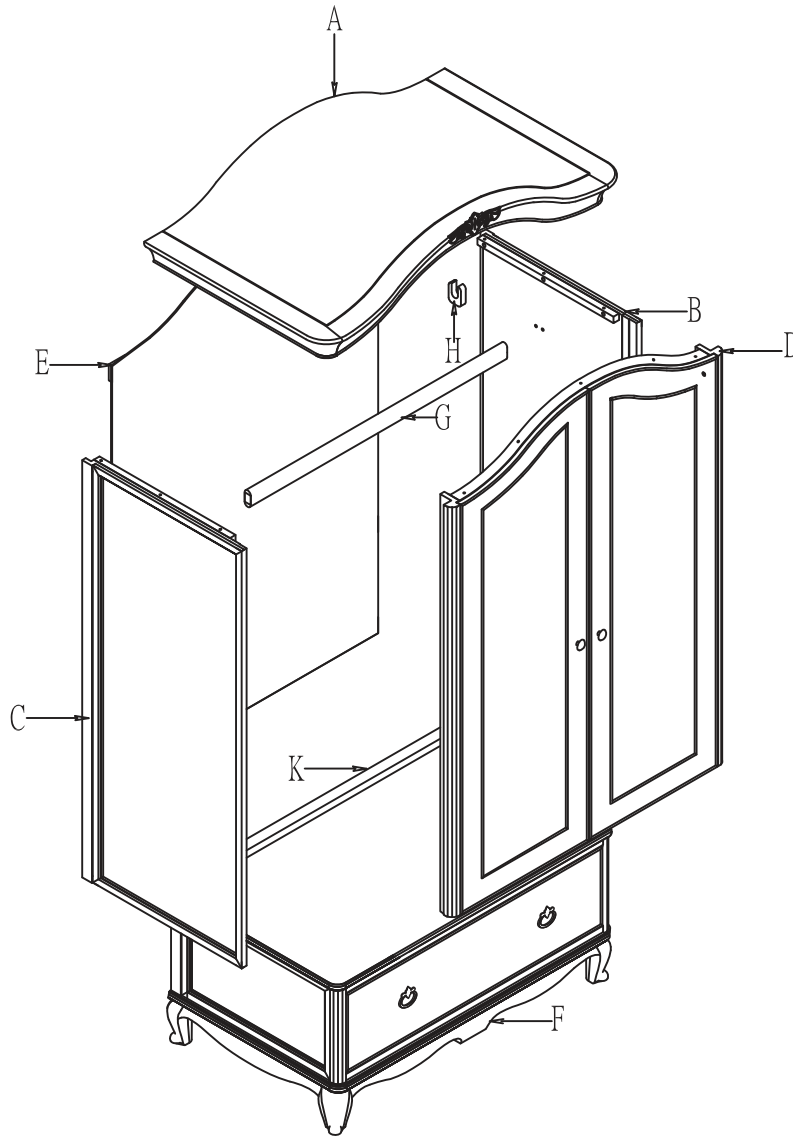
---

# Step By Step Assembly Instructions




---

## PRE-ASSEMBLY PREPARATION

1. Please check the part contents before attempting to assemble this product. A full checklist of components is given in this leaflet. If any components are missing, please contact the retailer from whom you bought this product.
2. This product is **HEAVY**, it should be assembled as near as possible to the point of use. **TAKE CARE WHEN LIFTING** to avoid personal injury and (or) damage to the product.
3. This product takes approximately 60 **MINUTES** to assemble with 3 **PEOPLE**.
4. The fittings pack contains **SMALL ITEMS** which should be **KEPT AWAY FROM YOUNG CHILDREN**.
5. Read this leaflet in full before commencing assembly.
6. You will require a cross head screwdriver to assemble this product.
7. **WE RECOMMEND** that you lay a protective cloth on your carpet to prevent marking.

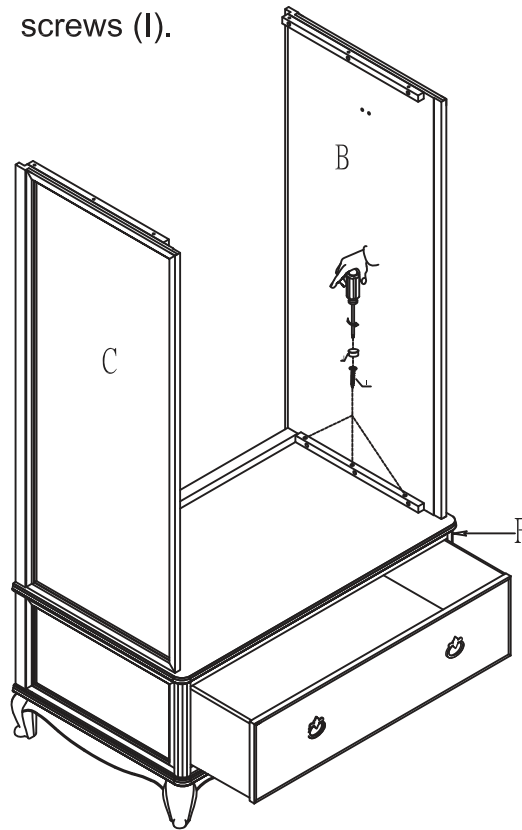


Panel and Fittings Identification

Item	Description	Qty.	Item	Description	Qty.	Item	Description	Qty.
A	Top Cornice	1	B	Right Side Panel	1	C	Left Side Panel	1
D	Door Frame w/ door	1	E	Back Panel	1	F	Base section	1
G	Hanging Rail	1	H	Rail Supports	2	I	25mm CSK screws 	48
J	Wood Plug 8mm	12	K	Bottom Stretcher	1	L	Screws #6*5/8" 	3
N	Dowel 20mm 	8						

Step ① Push fit the eight 20mm dowels (N) into the tops and bottoms of the left (C) and right (D) panels. Locate the left panel into the base section (F), aligning the dowels into the holes. Secure using three 25mm screws (I). Locate the rear of the right panel into the protruding dowels from the stretcher rail at the same time, aligning the bottom dowels into the base section. Secure using three 25mm.

screws (I).

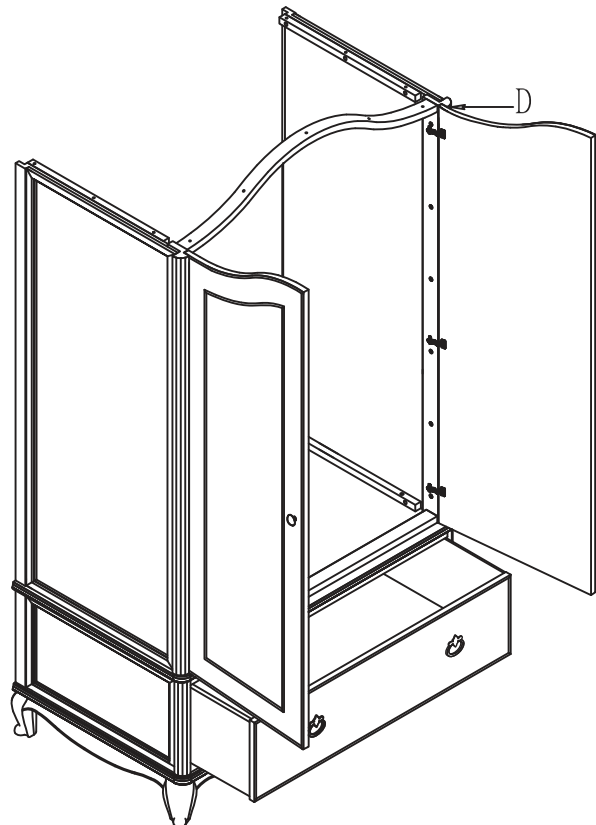


### Fittings

 I x 6

 N x 8

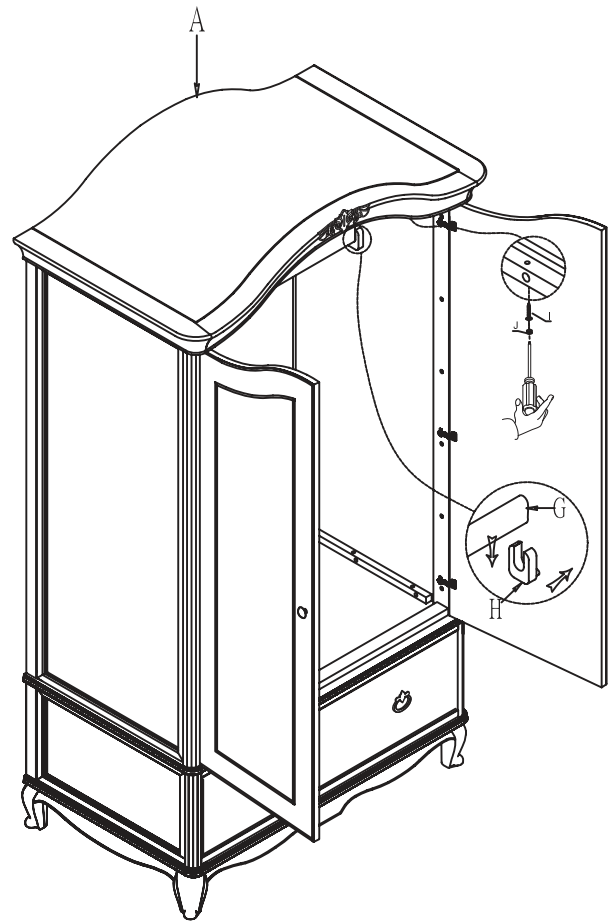
Step 2 With the aid of an assistant, locate the door frame (D) onto the wardrobe, make sure the door frame (D) is tight against the side panels (B&C). First secure to the side panels using six 25mm (I) screws per side, inserted through the wooden blocks. Finally, secure at the bottom using each three additional 25mm screws (I) under both sides.




### Fittings

 I x 18

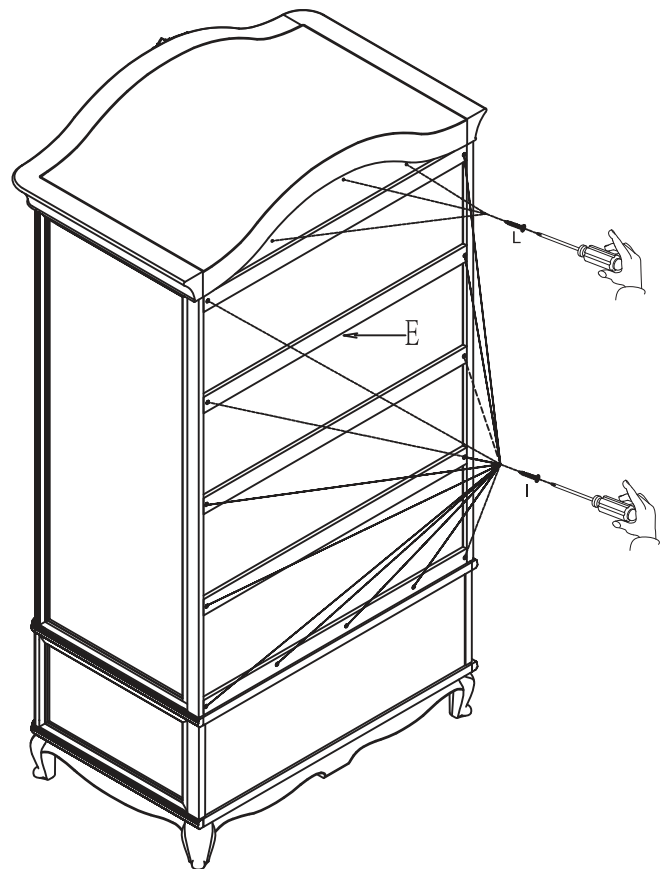
Step ③ With the aid of an assistant, locate the cornice (A) as shown. Secure using eleven #9\*25mm screws (I), three for each panel top cleat and five into the top of the door frame (D). Using six wood plugs (J) to hide the side six screw holes. Then place the hanging rail (G) to the rail supports (H) as shown.





Fittings

-  I x 11
- J x 6
- G x 1

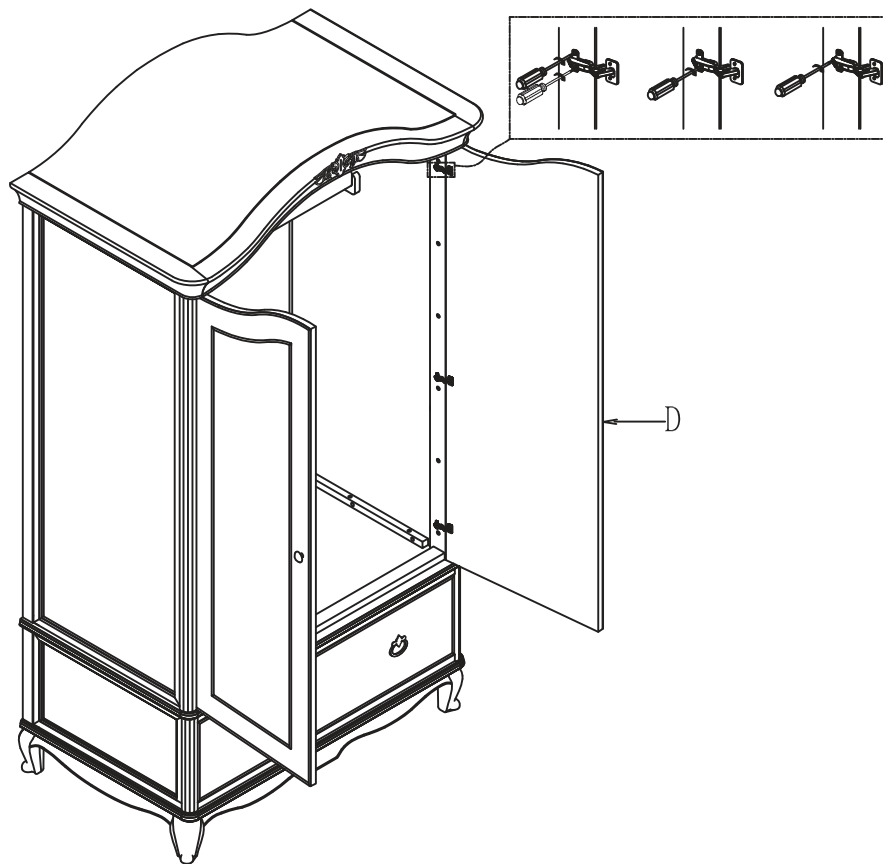
Step ④ Before attaching the back panels (E), move the wardrobe close to the position where it will be used. With uneven floors you may need to lean the wardrobe slightly left or slightly right to ensure that the doors remain square. With the aid of an assistant, hold the wardrobe in position and secure the back panel (E) to the rear of the wardrobe using thirteen #9 \*25mm screws (I) and three #6 5/8" screw (L) to the top crown.



Fittings

-  I x 13
-  L x 3

Step ⑤ Move the wardrobe into position and then check that the doors are aligned correctly. If necessary adjust the door hinges as shown below.



Step ⑥ The assembly is now complete.

