

WG

Willis & Gambier

Thank you from Willis & Gambier

For a chance to win a Love 2 Shop voucher simply post a picture of your new product on your preferred social channels tagging Willis & Gambier using the hashtag #ShareYourStyle and #WillisGambier . One winner will be selected at random each month.

To view our full terms and conditions please visit www.willisgambier.co.uk

Are you happy with your purchase?

Yes: That's great, we would love to hear more from you. Please leave us a review on our social media channels. Your feedback will be greatly appreciated.

No: If for any reason there is something missing, indifferent or incorrect with your order, please contact the retailer you purchased the item from. We will work with the retailer to resolve your issue as quickly as possible.

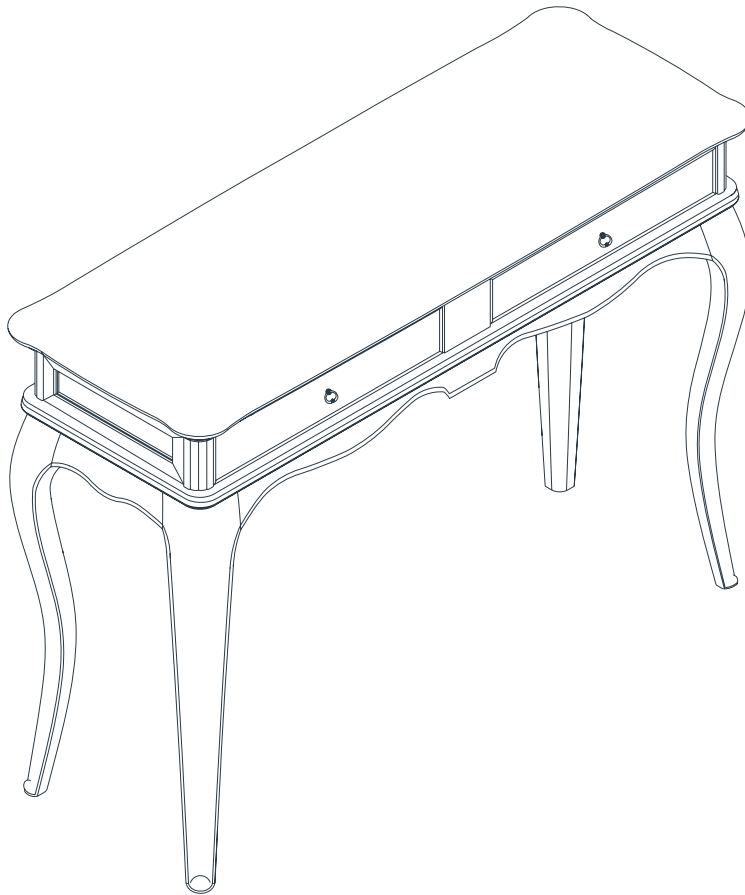


WILLIS & GAMBIER

Lifestyle furniture collections

The Camille Collection

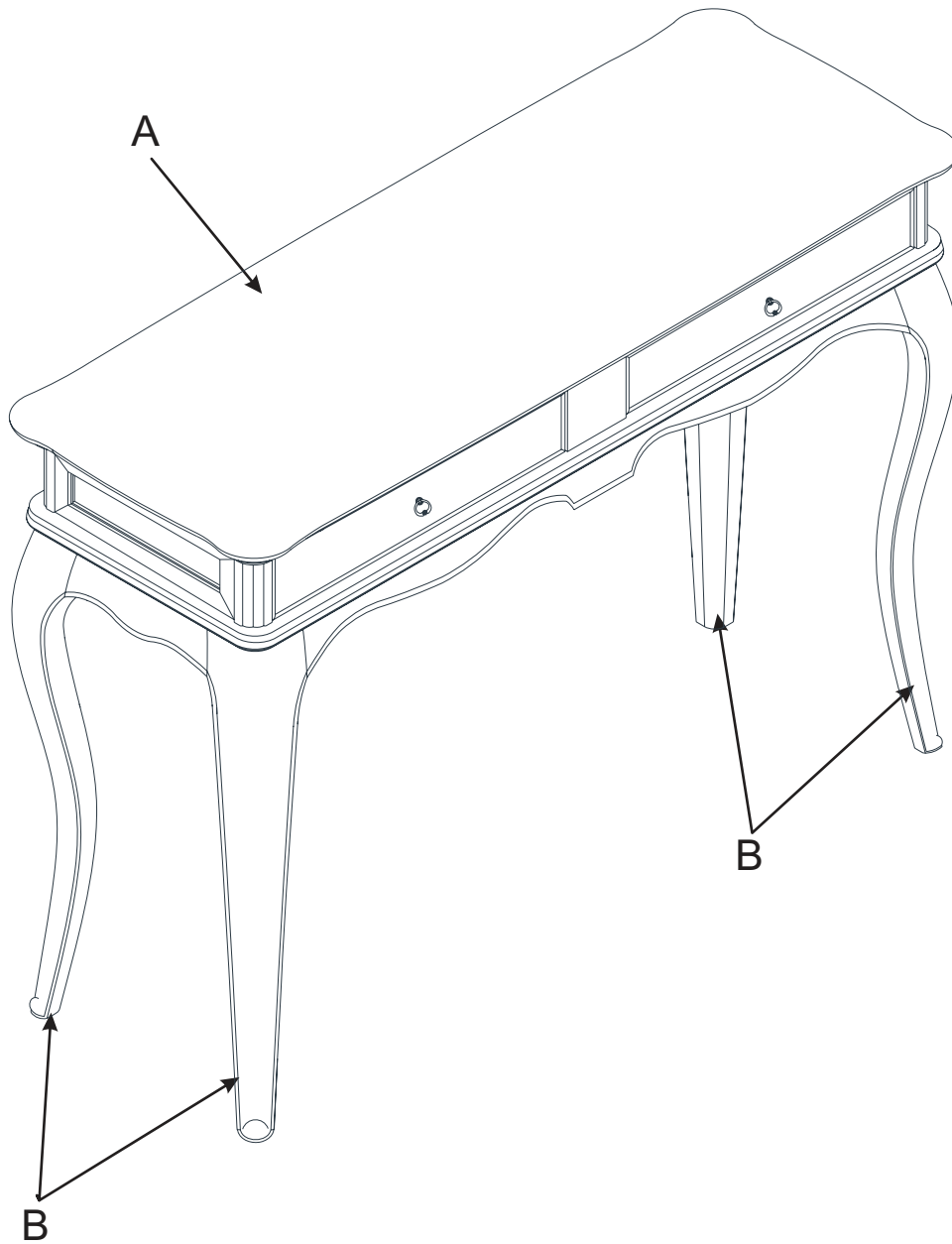
Dressing Table (Product Code CA/3394N)







Step By Step Assembly Instructions

PRE-ASSEMBLY PREPARATION

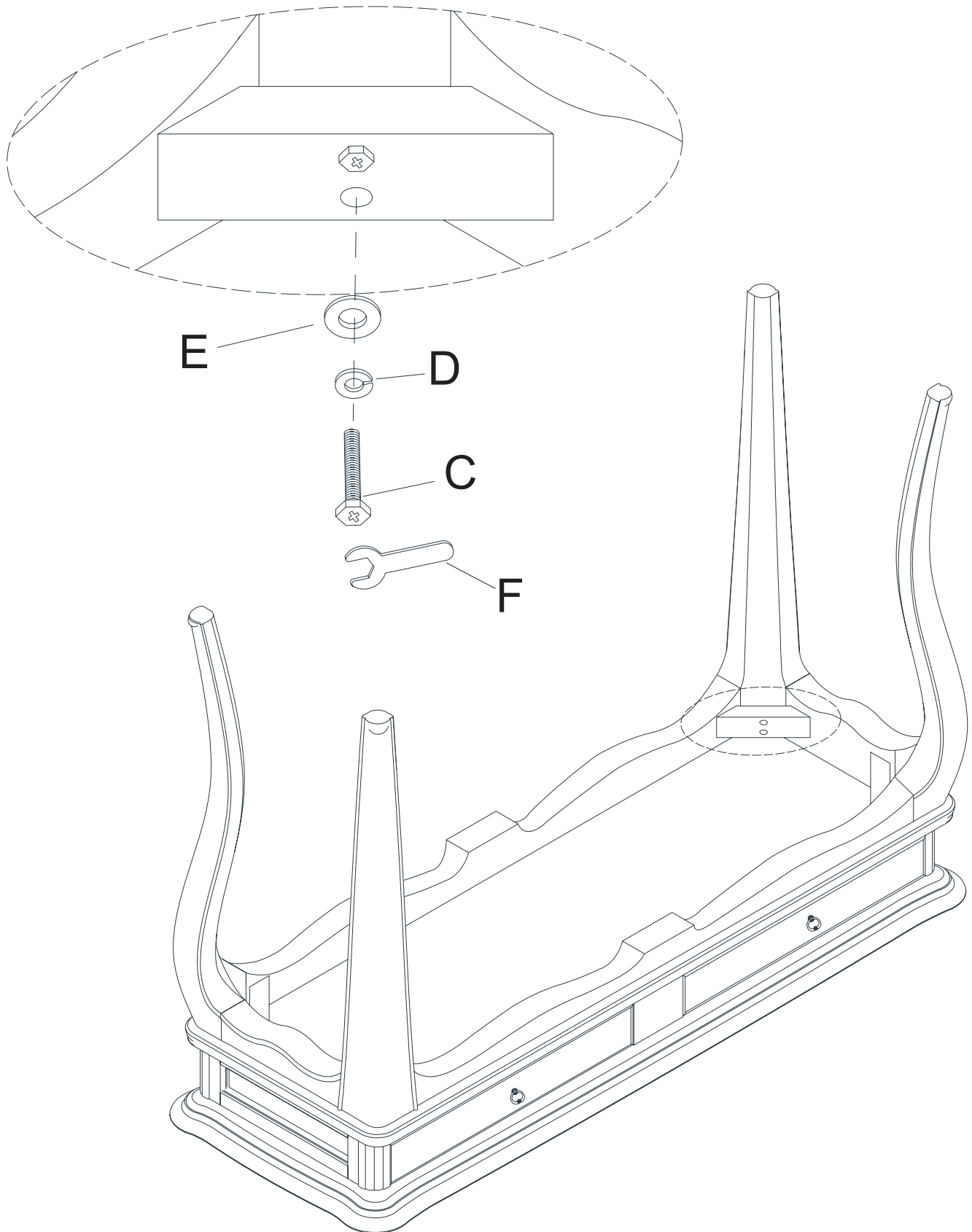
1. Please check the pack contents before attempting to assemble this product. A full checklist of components is given in this leaflet. If any components are missing, please contact the retailer from whom you bought this product.
2. This product is **HEAVY**, it should be assembled as near as possible to the point of use. **TAKE CARE WHEN LIFTING** to avoid personal injury and (or) damage to the product.
3. This product takes approximately **1/2 Hour** to assemble with **2 OR MORE PEOPLE**.
4. The fittings pack contains **SMALL ITEMS** which should be **KEPT AWAY FROM YOUNG CHILDREN**.
5. Read this leaflet in full before commencing assembly.
6. You should lay a **PROTECTIVE CLOTH** on the floor **BEFORE** commencing assembly.



Panel and Fittings Identification

Item	Description	Qty.	Item	Description	Qty.	Item	Description	Qty.
A	Table Top	1	B	Legs	4			
C	Bolt 	8	D	Spring Washer 	8	E	Washer 	8
F	Spanner 	1						

Step 1 With the aid of one or two assistants carefully, turn the table top face down onto a smooth flat surface which is free from sharp objects, e.g. A carpet. Locate the four legs (B) into the cross braces. Attach each leg using two bolts (C), two spring washers (D), two washers (E) and tighten using the Spanner (F).



Step **2** **CAUTION! This Dressing table is very heavy!** With the aid of two strong assistants, carefully lift the table and turn into the upright position, taking care not to lever the table over on the legs as this may cause damage to the legs. The assembly is now complete.

