

WG

Willis & Gambier

Thank you from Willis & Gambier

For a chance to win a Love 2 Shop voucher simply post a picture of your new product on your preferred social channels tagging Willis & Gambier using the hashtag #ShareYourStyle and #WillisGambier . One winner will be selected at random each month.

To view our full terms and conditions please visit www.willisgambier.co.uk

Are you happy with your purchase?

Yes: That's great, we would love to hear more from you. Please leave us a review on our social media channels. Your feedback will be greatly appreciated.

No: If for any reason there is something missing, indifferent or incorrect with your order, please contact the retailer you purchased the item from. We will work with the retailer to resolve your issue as quickly as possible.

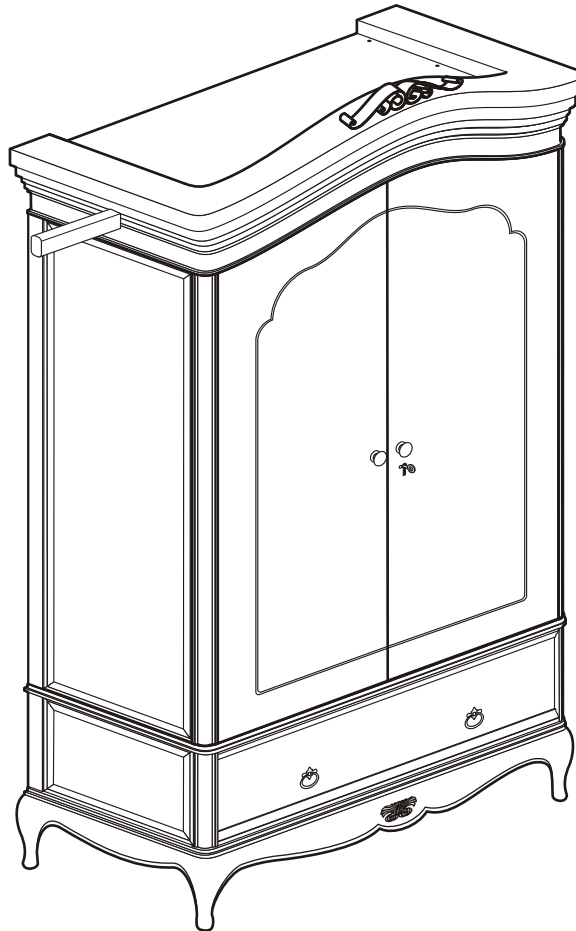


WG

Willis & Gambier

Etienne Collection

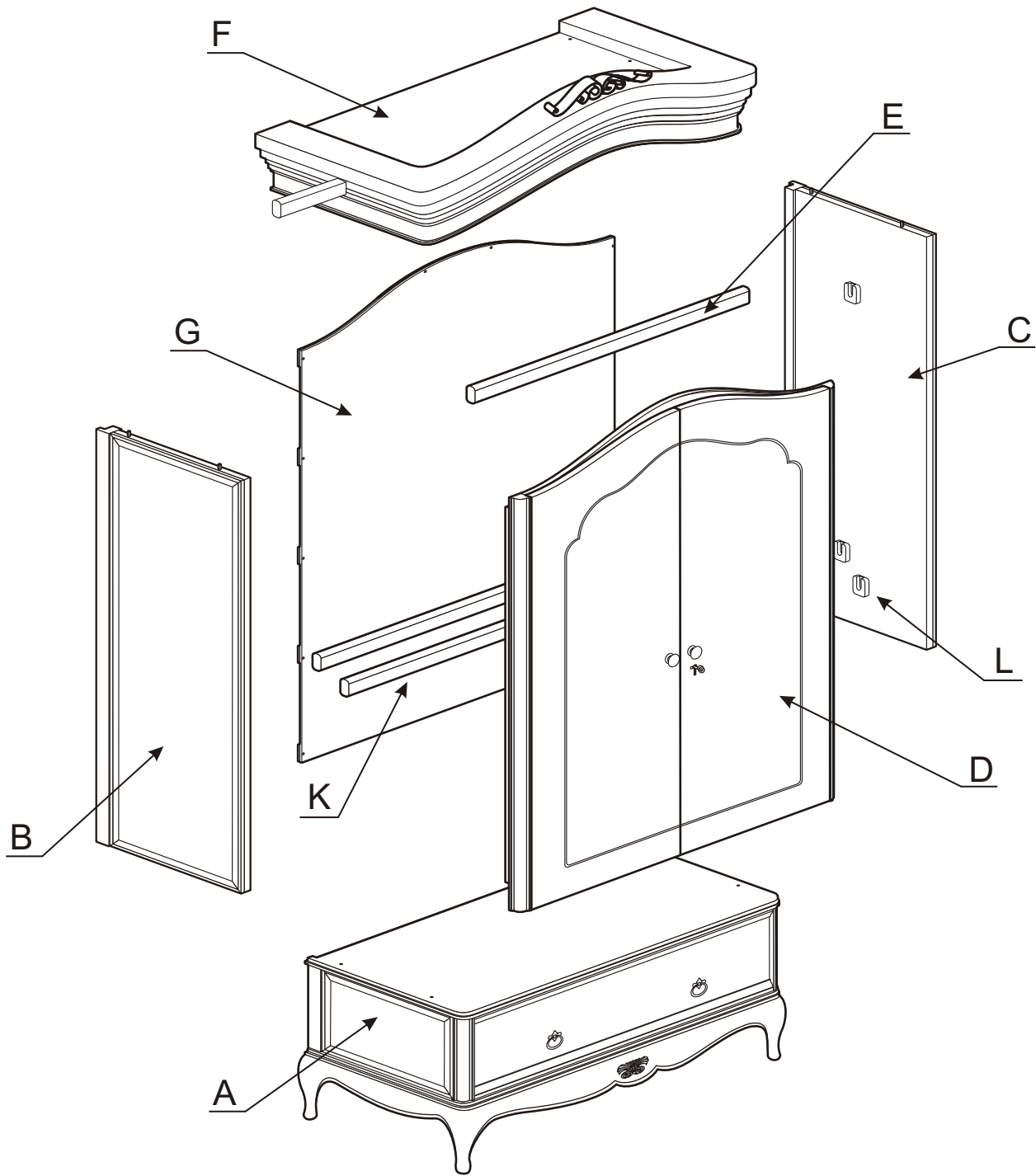
Grey Double Wardrobe (Product Code ET/1598G)




Step By Step Assembly Instructions

PRE-ASSEMBLY PREPARATION

1. Please check the pack contents before attempting to assemble this product. A full checklist of components is given in this leaflet. If any components are missing, please contact the retailer from whom you bought this product.
2. This product is **HEAVY**, it should be assembled as near as possible to the point of use. **TAKE CARE WHEN LIFTING** to avoid personal injury and (or) damage to the product.
3. This product takes approximately **90 MINUTES** to assemble with **2 PEOPLE**.
4. The fittings pack contains **SMALL ITEMS** which should be **KEPT AWAY FROM YOUNG CHILDREN**.
5. Read this leaflet in full before commencing assembly.
6. You will require a crosshead screwdriver to assemble this product.
7. **WE RECOMMEND** that you lay a protective cloth on your carpet to prevent marking.



Panel and Fittings Identification

Item	Description	Qty.	Item	Description	Qty.	Item	Description	Qty.
A	Base Unit	1	B	LH Side Panel	1	C	RH Side Panel	1
D	Door Frame	1	E	Hanging Rail	1	F	Cornice	1
G	Back Panel	1	H	30mm CSK Screws	31	I	50mm CSK Screws	6
J	Door Key 	1	K	Shoe rack rail	2	L	Shoe rail support	4

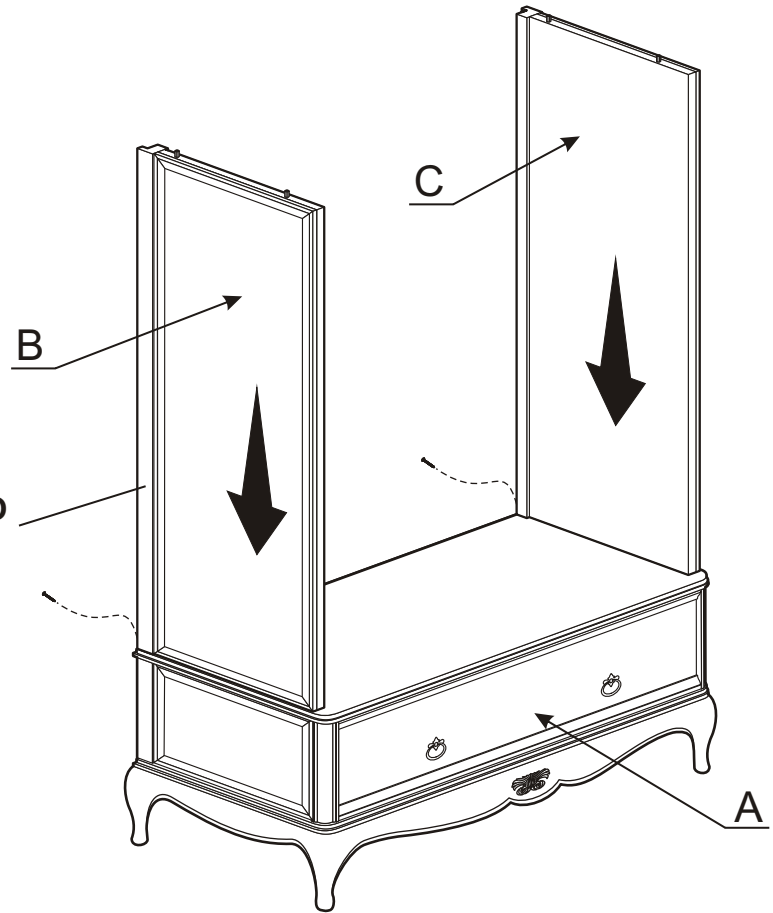
Step 1 With the aid of an assistant, locate the side panels (B & C) into the base unit (A). Secure using two 30mm csk screws (H), inserted through the rear posts.

Fittings



H x 2

POST TO REAR!

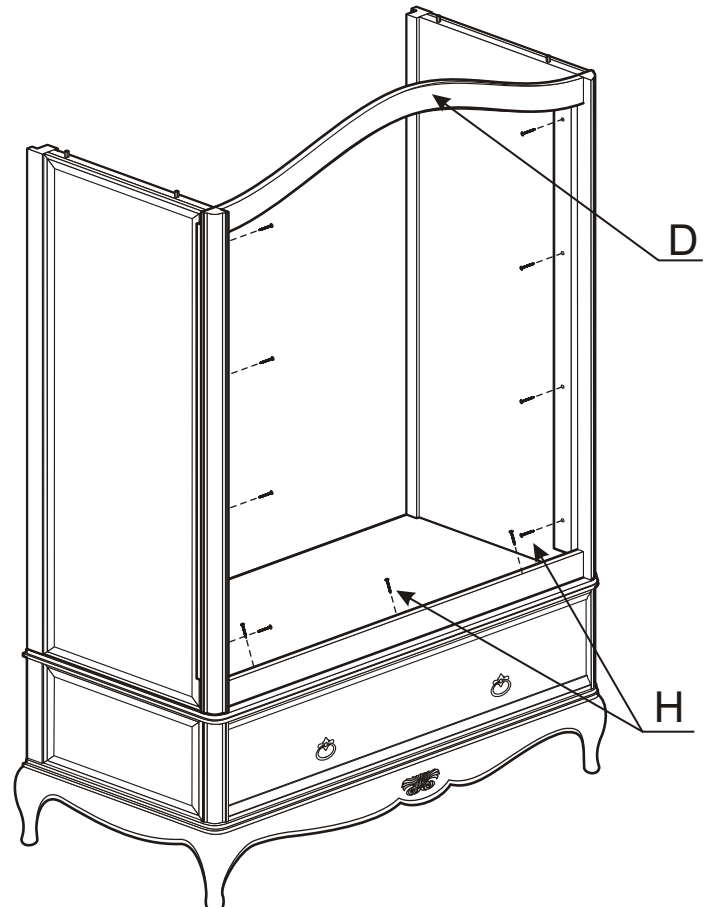


Step 2 **IMPORTANT NOTE: PLEASE ENSURE THE DOORS ARE UNLOCKED PRIOR TO ASSEMBLY** With the aid of an assistant, locate the door frame (D) onto the wardrobe as shown. First secure to the side panels using four 30mm csk screws (H) per side, inserted through the wooden blocks. Then secure at the bottom using three additional 30mm csk screws (H).

Fittings



H x 11



SHOWN WITH DOORS REMOVED FOR CLARITY OF ILLUSTRATION ONLY

Step 3

With the aid of an assistant, locate the cornice (F) as shown. Secure using six 50mm screws (I), three for each side panel. Secure the door frame from inside using two 30mm screws (H), inserted at an angle. Locate the hanging rail (E) into the supports as shown.

Fittings

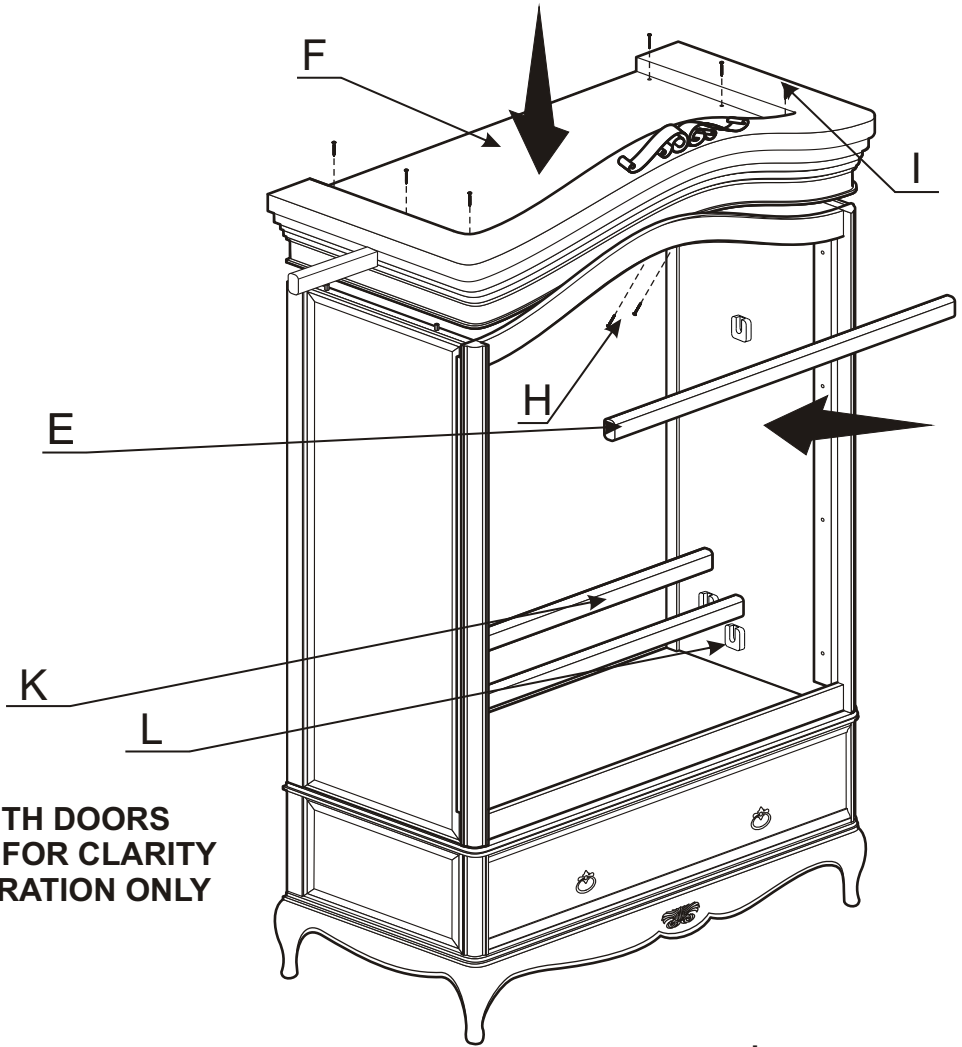


I x 6



H x 2

Push fit the two shoe rack supports (L) in the holes. Locate the two shoe rack rails (K) into the supports.



SHOWN WITH DOORS REMOVED FOR CLARITY OF ILLUSTRATION ONLY

Step 4

Before attaching the back panel (G), move the wardrobe close to the position where it will be used. With uneven floors you may need to lean the wardrobe slightly left or slightly right to ensure that the doors remain square. With the aid of an assistant, hold the wardrobe in position and secure the back panel to the rear of the wardrobe using sixteen 30mm csk screws (H).

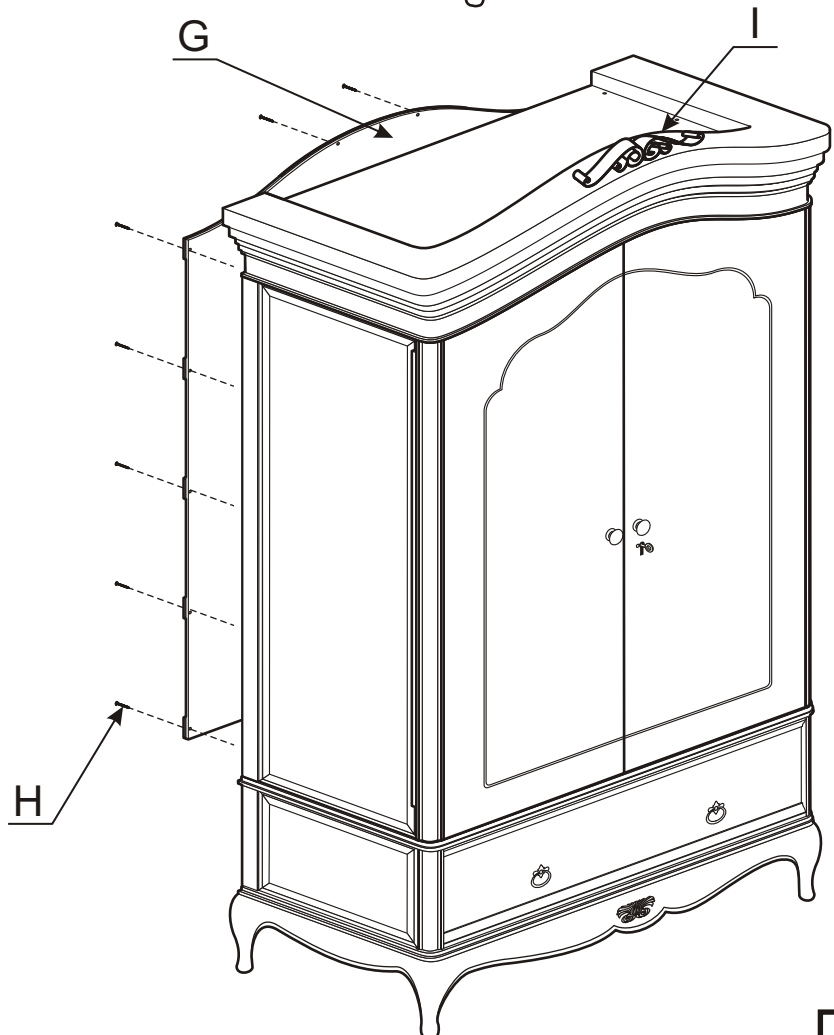
Fittings



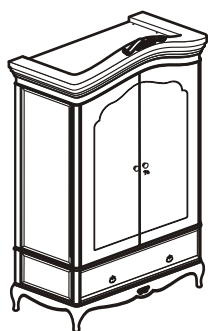
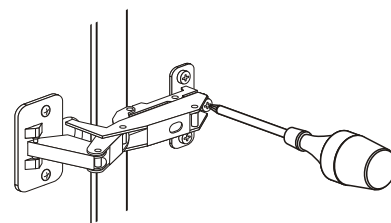
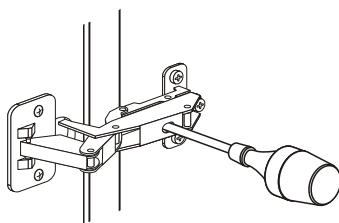
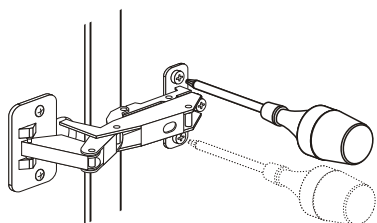
H x 16



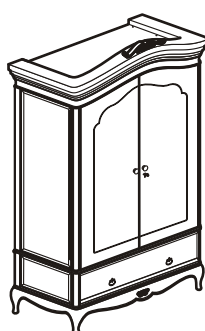
J x 1



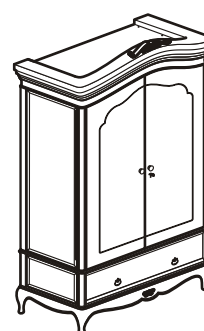
Step 5 Move the wardrobe into position and then check that the doors are aligned correctly. If necessary adjust the door hinges as shown below.



Vertical Adjustment



Horizontal Adjustment



Lateral Adjustment

WG

Willis & Gambier

Etienne Collection

Grey Double Wardrobe (Product Code ET/1598G)

It may be required to adjust the top and bottom locking pins on the door frame, enabling the hooks to locate and lock onto the pin. If required loosen and remove screws on the pin and locate into the correct position, then re-attach the screws. The pins can be moved in the directions shown in the diagram.

