

# WG

Willis & Gambier

## Thank you from Willis & Gambier

For a chance to win a Love 2 Shop voucher simply post a picture of your new product on your preferred social channels tagging Willis & Gambier using the hashtag #ShareYourStyle and #WillisGambier . One winner will be selected at random each month.

To view our full terms and conditions please visit [www.willisgambier.co.uk](http://www.willisgambier.co.uk)

### Are you happy with your purchase?

*Yes:* That's great, we would love to hear more from you. Please leave us a review on our social media channels. Your feedback will be greatly appreciated.

*No:* If for any reason there is something missing, indifferent or incorrect with your order, please contact the retailer you purchased the item from. We will work with the retailer to resolve your issue as quickly as possible.



---

# WILLIS & GAMBIER

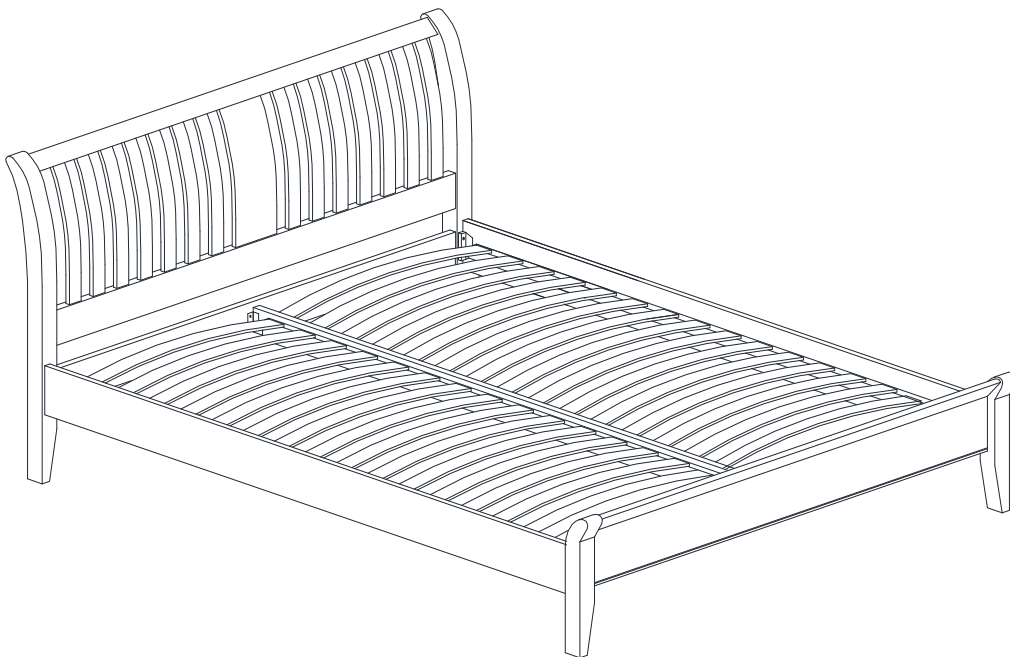
## Hancock Collection

HANCOCK BEDROOM - 135CM LE BED (Product Code HA/1000P)

HANCOCK BEDROOM - 150CM LE BED(Product Code HA/1001P)

HANCOCK BEDROOM - 180CM LE BED(Product Code HA/1002P)

---



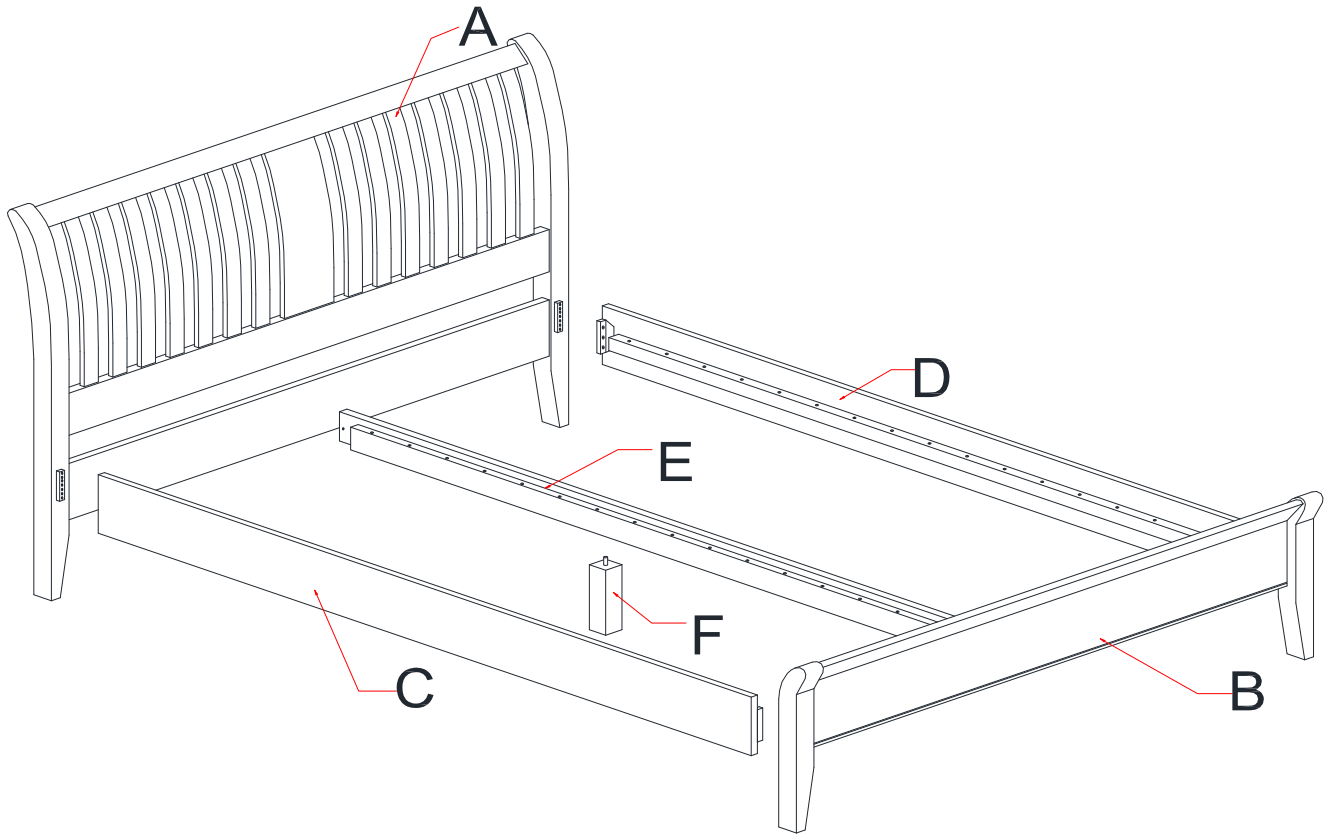
---

## Step By Step Assembly Instructions


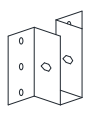
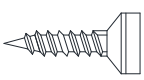
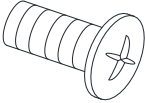

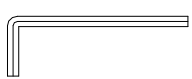
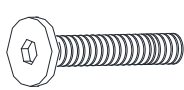

---

### PRE-ASSEMBLY PREPARATION



1. Please check the pack contents before attempting to assemble this product. A full checklist of components is given in this leaflet. If any components are missing, please contact the retailer from whom you bought this product.
2. This product is **HEAVY**, it should be assembled as near as possible to the point of use. **TAKE CARE WHEN LIFTING** to avoid personal injury and (or) damage to the product.
3. This product takes approximately **1/2 Hour** to assemble with **3 PEOPLE**.
4. The fittings pack contains **SMALL ITEMS** which should be **KEPT AWAY FROM YOUNG CHILDREN**.
5. Read this leaflet in full before commencing assembly.
6. You should lay a **PROTECTIVE CLOTH** on the floor **BEFORE** commencing assembly.

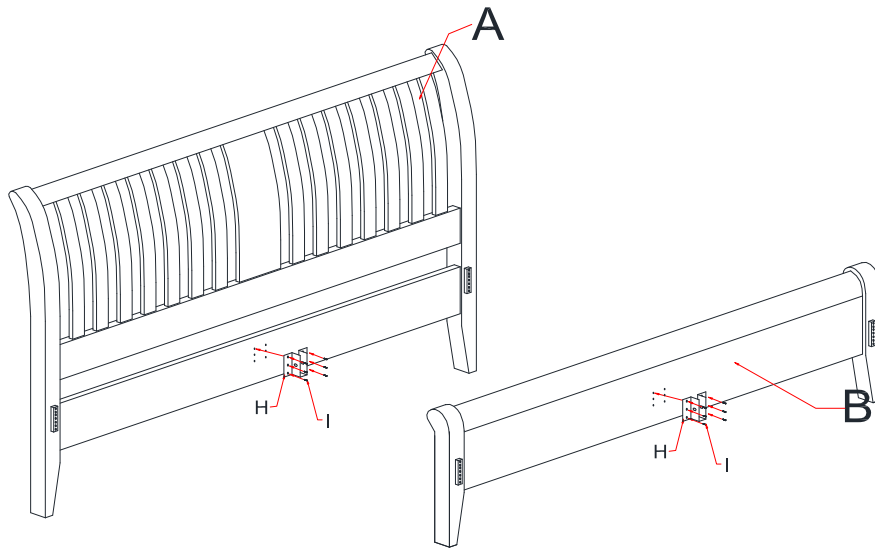


## Panel and Fittings Identification

Item Description Qty.	Item Description Qty.	Item Description Qty.	Item Description Qty.
<b>A</b> Headboard 1	<b>B</b> Footboard 1	<b>C</b> Left Side Rail 1	<b>D</b> Right Side Rail 1
<b>E</b> Centre Rail 1	<b>F</b> Centre Rail Support 1		
<b>G</b> Slat 135cm 32 150cm/180cm 34	<b>H</b> Bracket 2	<b>I</b> 16mm CSK Screw 12	<b>J</b> Bolts 12
			
<b>K</b> Slat Cap 135cm 64 150cm/180cm 68	<b>L</b> Hex key 1	<b>M</b> 36mm Bolt 2	<b>N</b> 6mm Nut 2
			

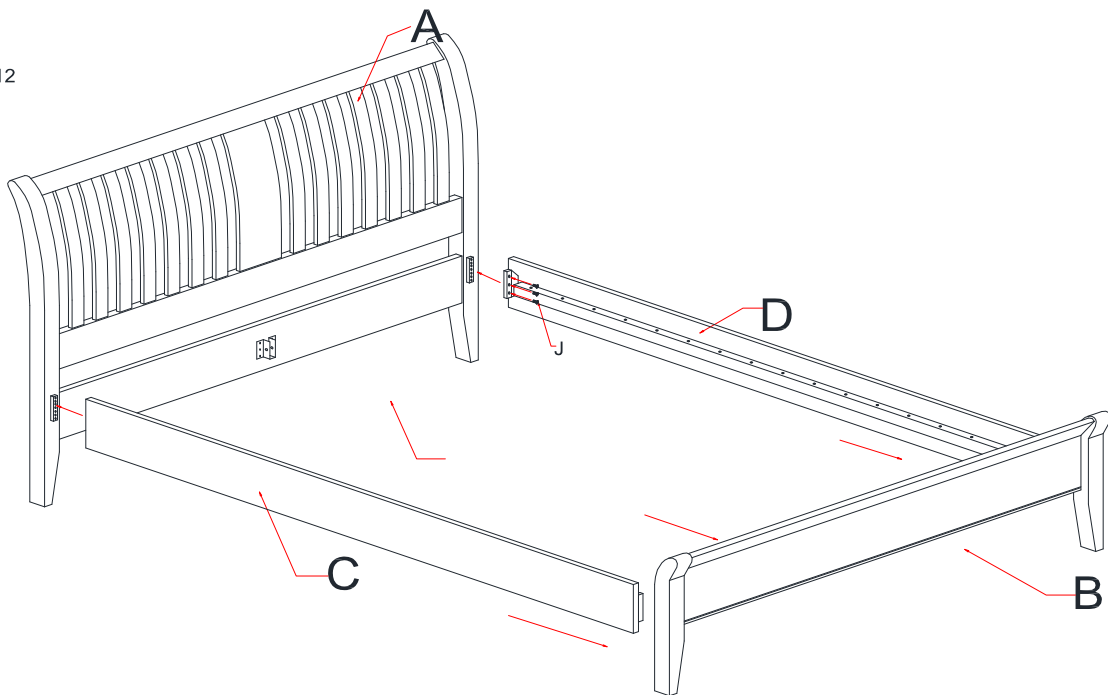
**Step ①** - Locate and secure the two brackets (H) to the inside panels on the Headboard (A) and Footboard (B) using twelve 16mm CSK screws (I).

 H x 2  
 I x 12



**Step ②** - Locate the side rails (C&D) on to the headboard (A) and footboard (B). Secure using Twelvebolts.

 J x 12

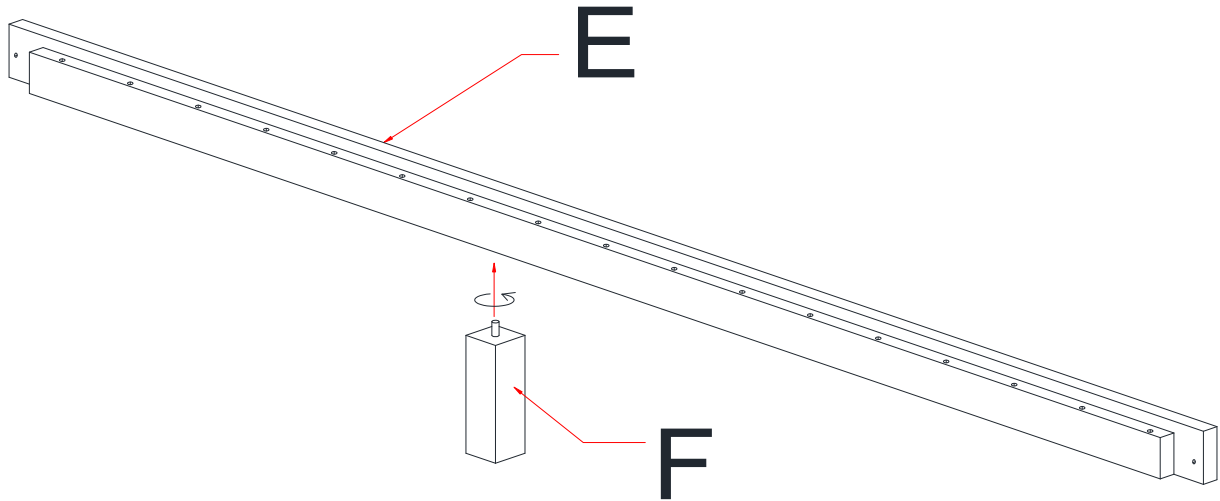


**Please note.**

The holes in the slat support rails should be facing upwards.

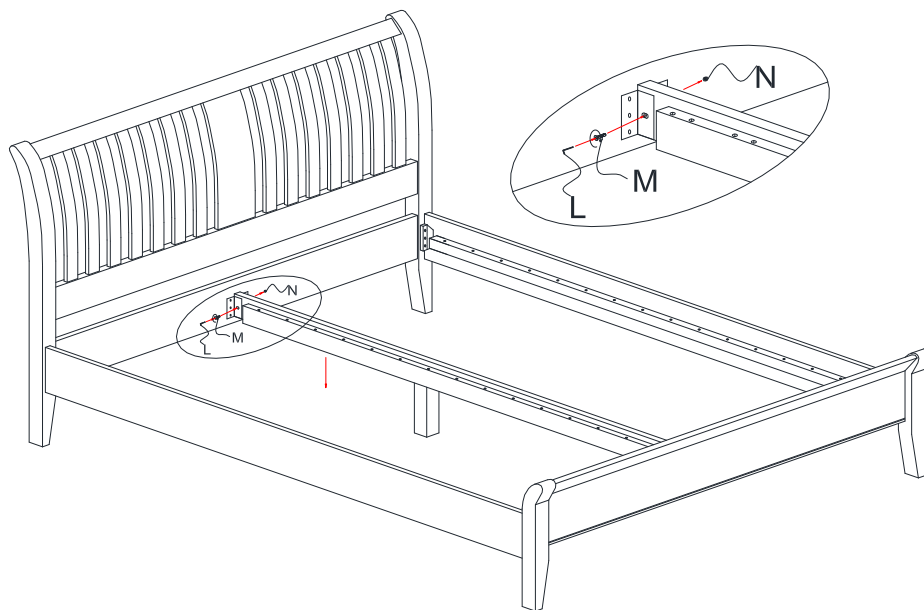
---

**Step ③** - Screw the centre rail support leg (F) into the underside of the centre rail (E).



**Step ④** - Locate the centre rail into the brackets on the Headboard and Footboard. Tighten using the 36mm bolts (M) and 6mm nuts (N) and the Allen key (L).

- L x 1
- M x 2
- N x 2



**Please note.**

The holes in the centre rail should be facing upwards.

**Step 5** - Push fit two plastic caps (K) onto either end of each slat (G). Push fit the slat into the pre-drilled pilot holes. It may help to push the slat flat and lightly tap the plastic cap with a soft hammer. Repeat this step with the remaining slats. The assembly is now complete.

-  K x 64/68
-  G x 32/34

