

# WG

Willis & Gambier

## Thank you from Willis & Gambier

For a chance to win a Love 2 Shop voucher simply post a picture of your new product on your preferred social channels tagging Willis & Gambier using the hashtag #ShareYourStyle and #WillisGambier . One winner will be selected at random each month.

To view our full terms and conditions please visit [www.willisgambier.co.uk](http://www.willisgambier.co.uk)

### Are you happy with your purchase?

*Yes:* That's great, we would love to hear more from you. Please leave us a review on our social media channels. Your feedback will be greatly appreciated.

*No:* If for any reason there is something missing, indifferent or incorrect with your order, please contact the retailer you purchased the item from. We will work with the retailer to resolve your issue as quickly as possible.



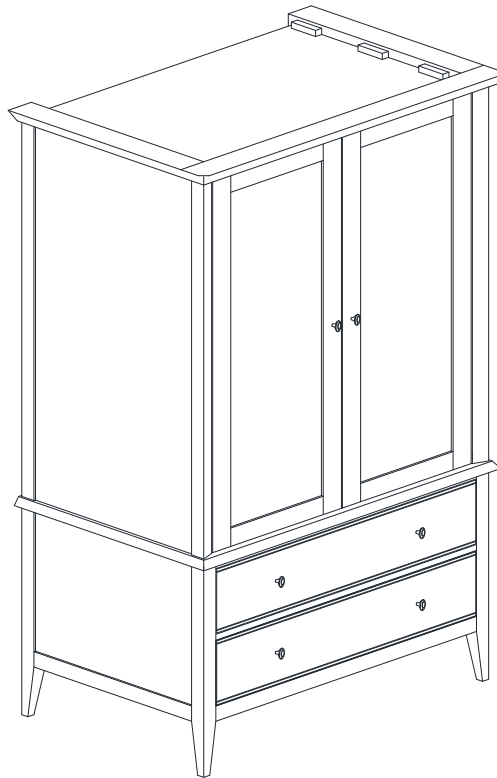
---

# WILLIS & GAMBIER

## Hancock Collection

HANCOCK BEDROOM - DOUBLE WARDROBE (Product Code HA/1011P)

---



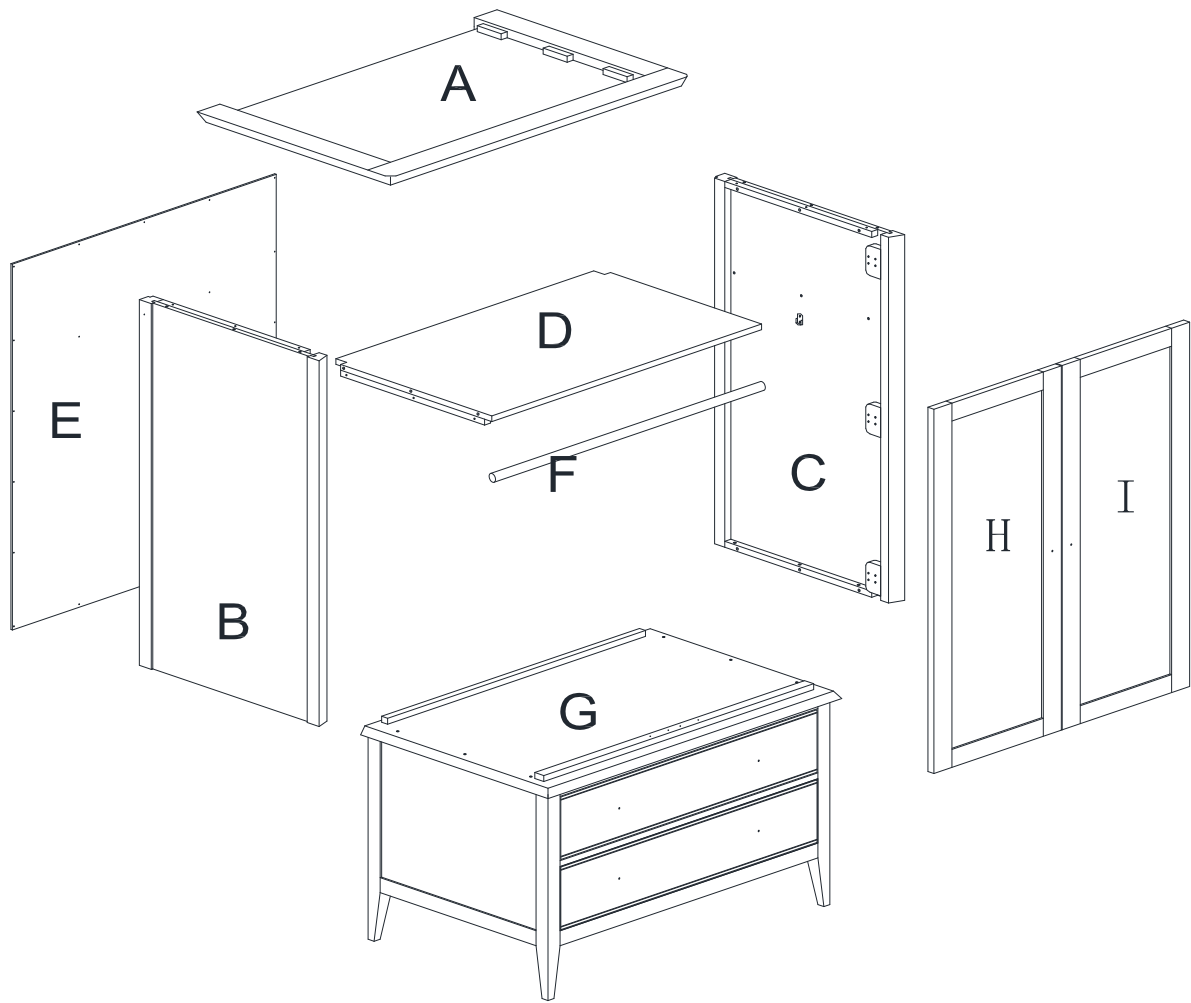
---

## Step By Step Assembly Instructions


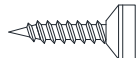



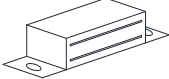
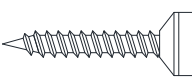
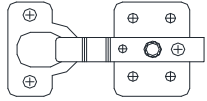
---

### PRE-ASSEMBLY PREPARATION

1. Please check the pack contents before attempting to assemble this product. A full checklist of components is given in this leaflet. If any components are missing, please contact the retailer from whom you bought this product.
2. This product is **HEAVY**, it should be assembled as near as possible to the point of use. **TAKE CARE WHEN LIFTING** to avoid personal injury and (or) damage to the product.
3. This product takes approximately **1/2 Hour** to assemble with **3 PEOPLE**.
4. The fittings pack contains **SMALL ITEMS** which should be **KEPT AWAY FROM YOUNG CHILDREN**.
5. Read this leaflet in full before commencing assembly.
6. You should lay a **PROTECTIVE CLOTH** on the floor **BEFORE** commencing assembly.



## Panel and Fittings Identification

Item Description Qty.	Item Description Qty.	Item Description Qty.	Item Description Qty.
<b>A</b> Top Panel 1	<b>B</b> Left Panel 1	<b>C</b> Right Panel 1	<b>D</b> Shelf 1
<b>E</b> Back Panel 1	<b>F</b> Hanging Rail 1	<b>G</b> Base section 8	<b>H / I</b> Left/Right Door 2
<b>J</b> Dowel 18 	<b>K</b> 16mm csk screw 36 	<b>L</b> 16mm Screw 29 	<b>M</b> handle 6 
<b>N</b> 25mm screw 6 	<b>O</b> Ferromagnet 4 	<b>P</b> 30mm csk screw 18 	<b>Q</b> Door Hinge 6 

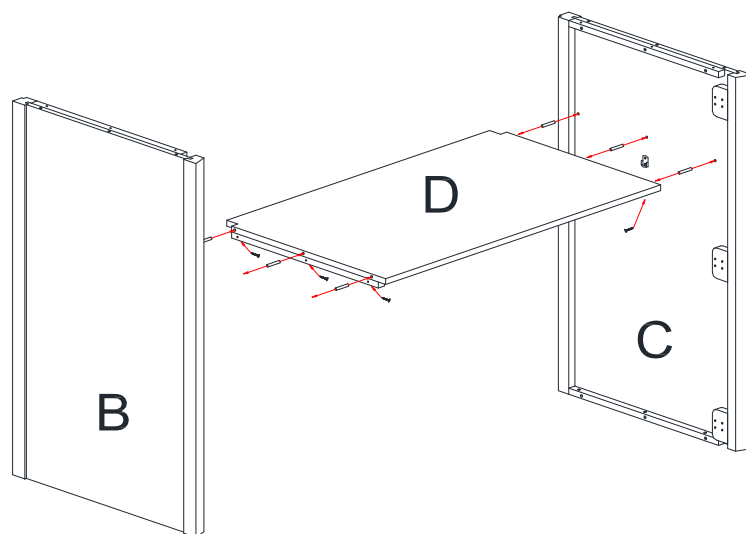
## Step ①



P x 6



J x 6



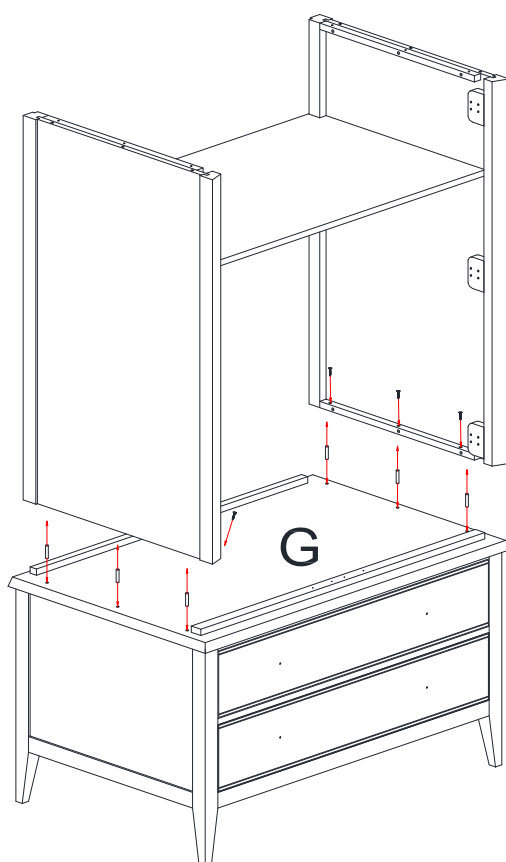
## Step ②



P x 6



J x 6



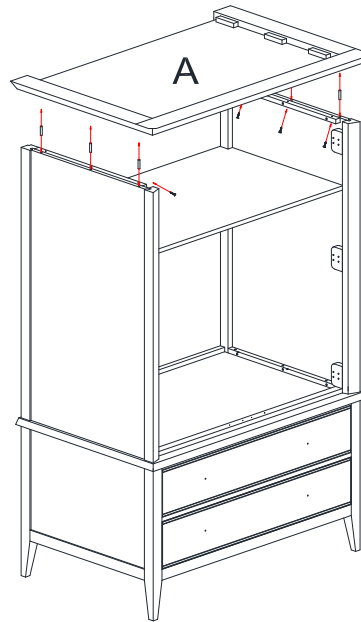
## Step ③



P x 6



J x 6



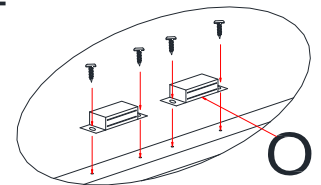
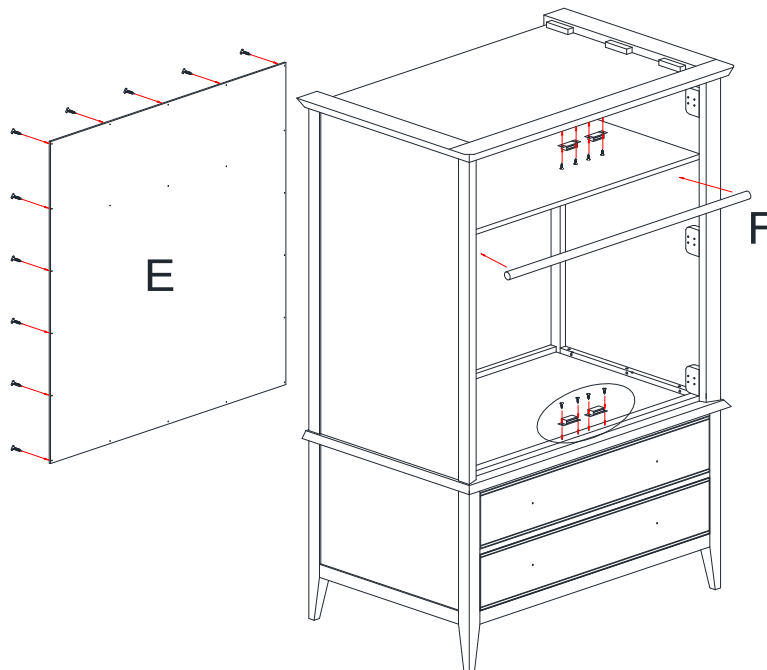
## Step ④



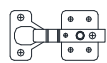
L x 29



O x 4



# Step ⑤



Q x 6



K x 36



M x 6



N x 6

