

# WG

Willis & Gambier

## Thank you from Willis & Gambier

For a chance to win a Love 2 Shop voucher simply post a picture of your new product on your preferred social channels tagging Willis & Gambier using the hashtag #ShareYourStyle and #WillisGambier . One winner will be selected at random each month.

To view our full terms and conditions please visit [www.willisgambier.co.uk](http://www.willisgambier.co.uk)

### Are you happy with your purchase?

*Yes:* That's great, we would love to hear more from you. Please leave us a review on our social media channels. Your feedback will be greatly appreciated.

*No:* If for any reason there is something missing, indifferent or incorrect with your order, please contact the retailer you purchased the item from. We will work with the retailer to resolve your issue as quickly as possible.



---

# WG

Willis & Gambier

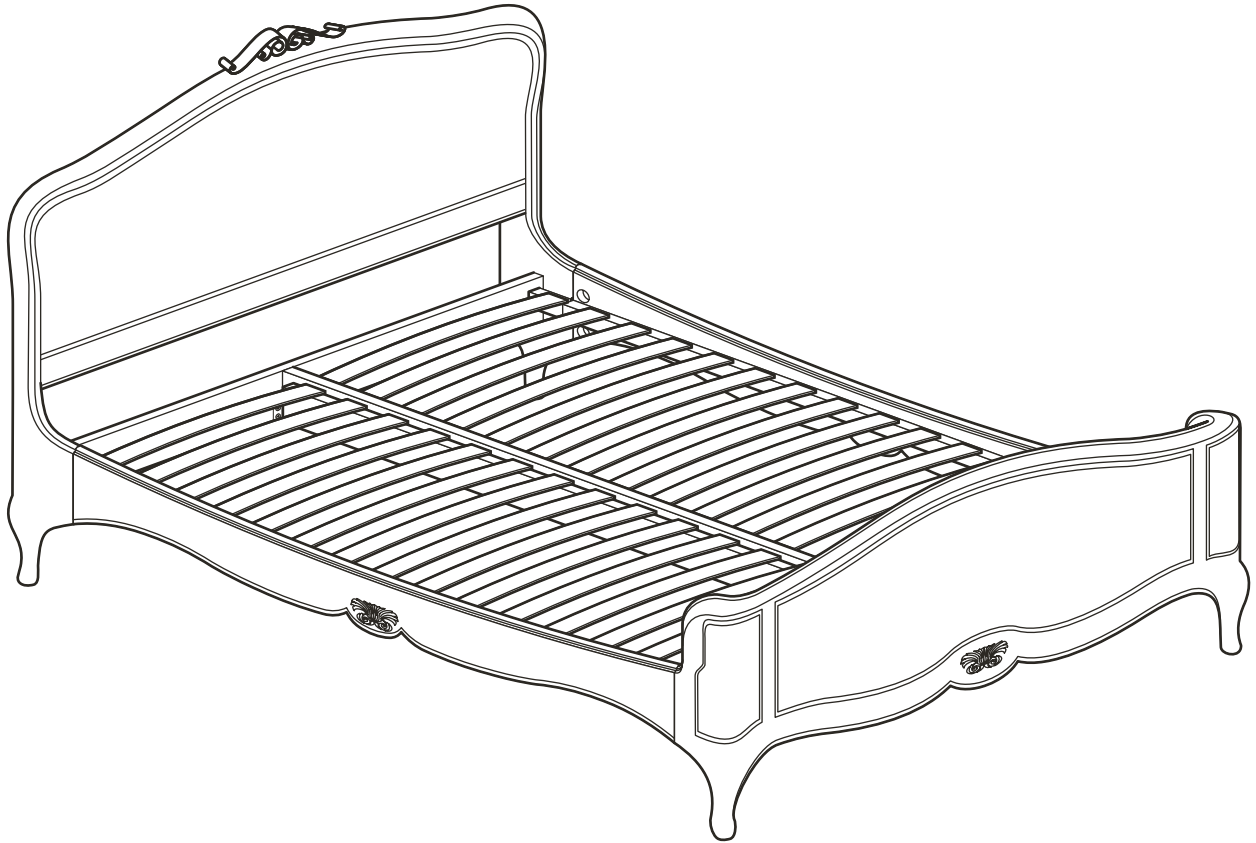
## Ivory Collection

135cm Bedstead (Product Code SD/1367W)

150cm Bedstead (Product Code SD/1369W)

180cm Bedstead (Product Code SD/1370W)

---



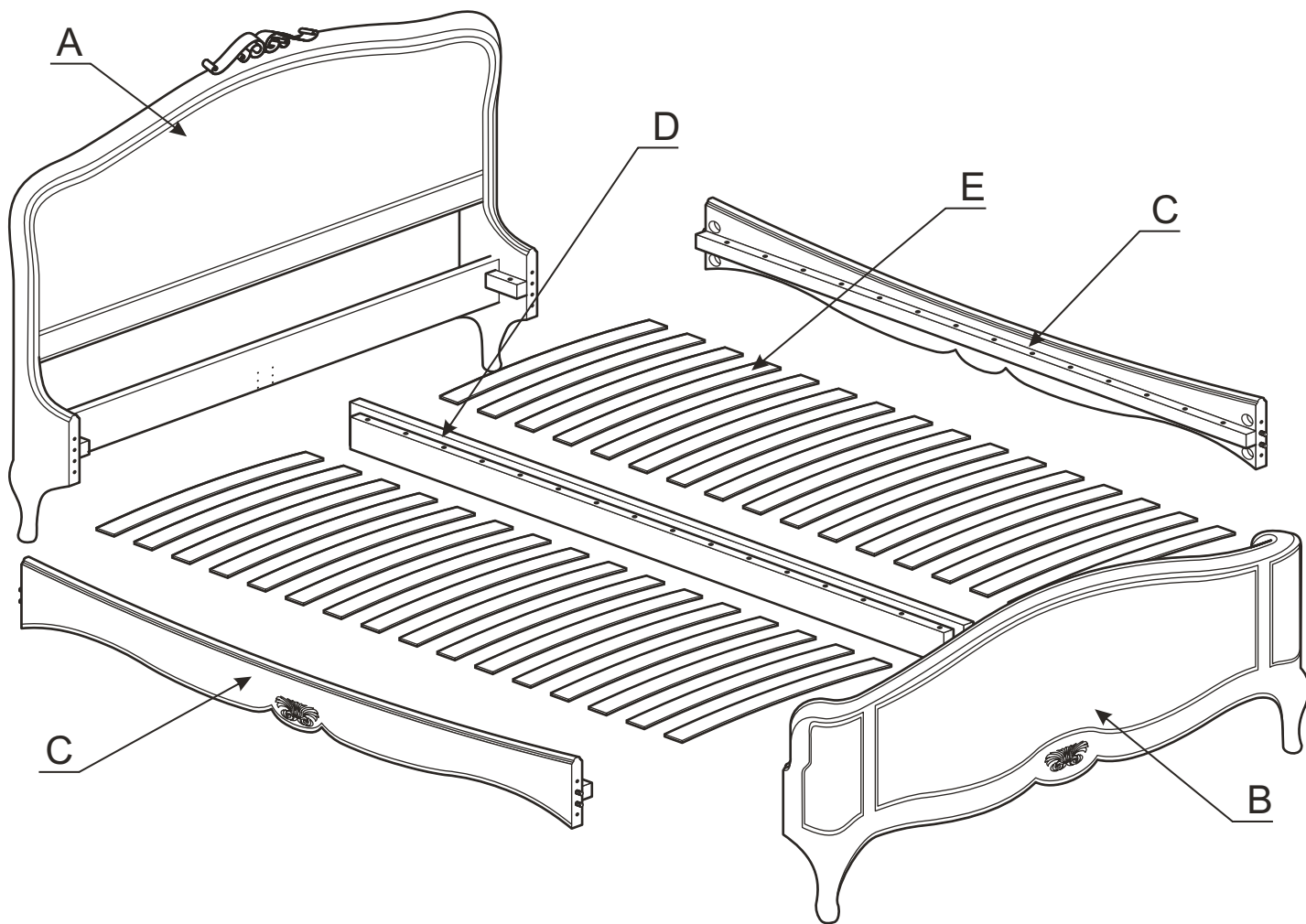
---

# Step By Step Assembly Instructions

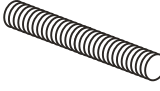








---

## PRE-ASSEMBLY PREPARATION

1. Please check the pack contents before attempting to assemble this product. A full checklist of components is given in this leaflet. If any components are missing, please contact the retailer from whom you bought this product.
2. This product is **HEAVY**, it should be assembled as near as possible to the point of use. **TAKE CARE WHEN LIFTING** to avoid personal injury and (or) damage to the product.
3. This product takes approximately **45 MINUTES** to assemble with **2 PEOPLE**.
4. The fittings pack contains **SMALL ITEMS** which should be **KEPT AWAY FROM YOUNG CHILDREN**.
5. Read this leaflet in full before commencing assembly.
6. You will require a crosshead screwdriver, an open ended spanner (Provided) and a 11mm spanner (Not provided) to assemble this product.

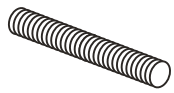


### Panel and Fittings Identification

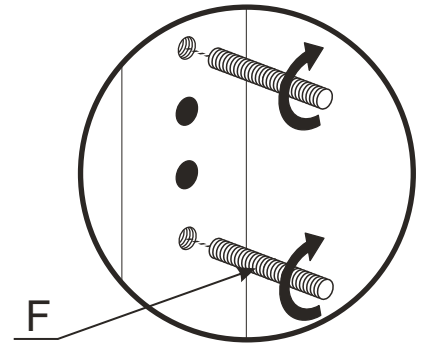
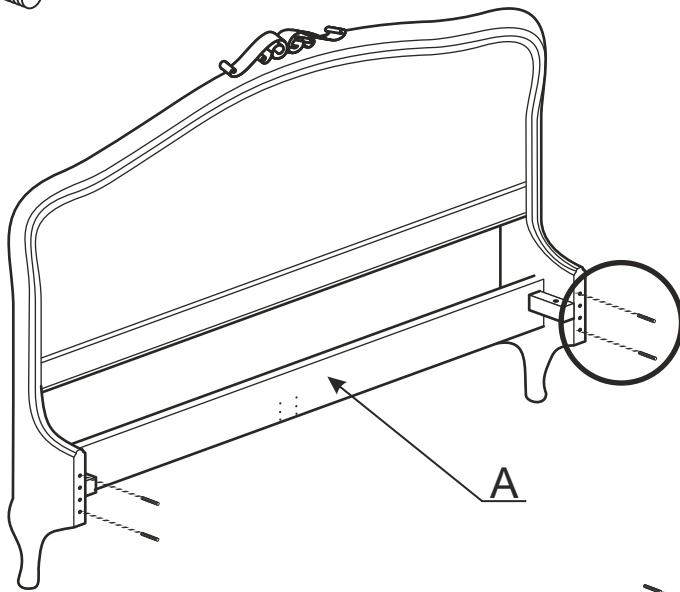
Item	Description	Qty.	Item	Description	Qty.	Item	Description	Qty.
A	Headboard	1	B	Footboard	1	C	Side Rail	2
D	Centre Rail	1	E	Slat		F	Thread	8
				135cm bedstead	32			
				150/180cm bedstead	34			
G	Bracket	2	H	Nut & Washer	8	I	Open Ended 13mm Spanner	1
								
J	16mm CSK Screw	12	K	40mm Bolt	2	L	11mm Nut	2
								
M	Plastic End Caps		N	30mm CSK Screw	4	O	Centre rail support leg	1
	 135cm bedstead	64						
	150/180cm bedstead	68						

**Step 1** - Screw the eight threads into the headboard and footboard ensuring enough of the thread is left for attachment in steps 2 & 3.

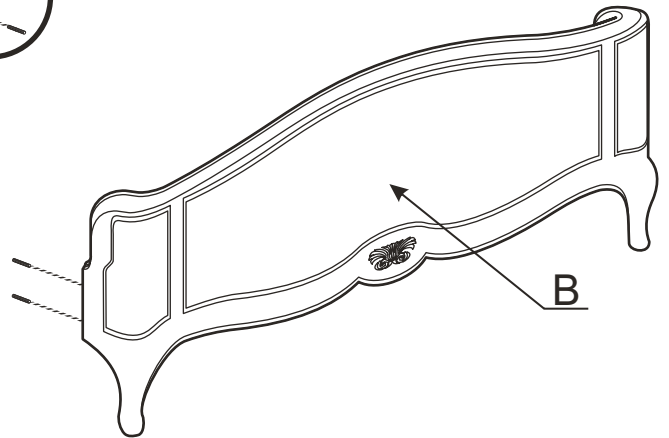
Fittings



F x 8



F



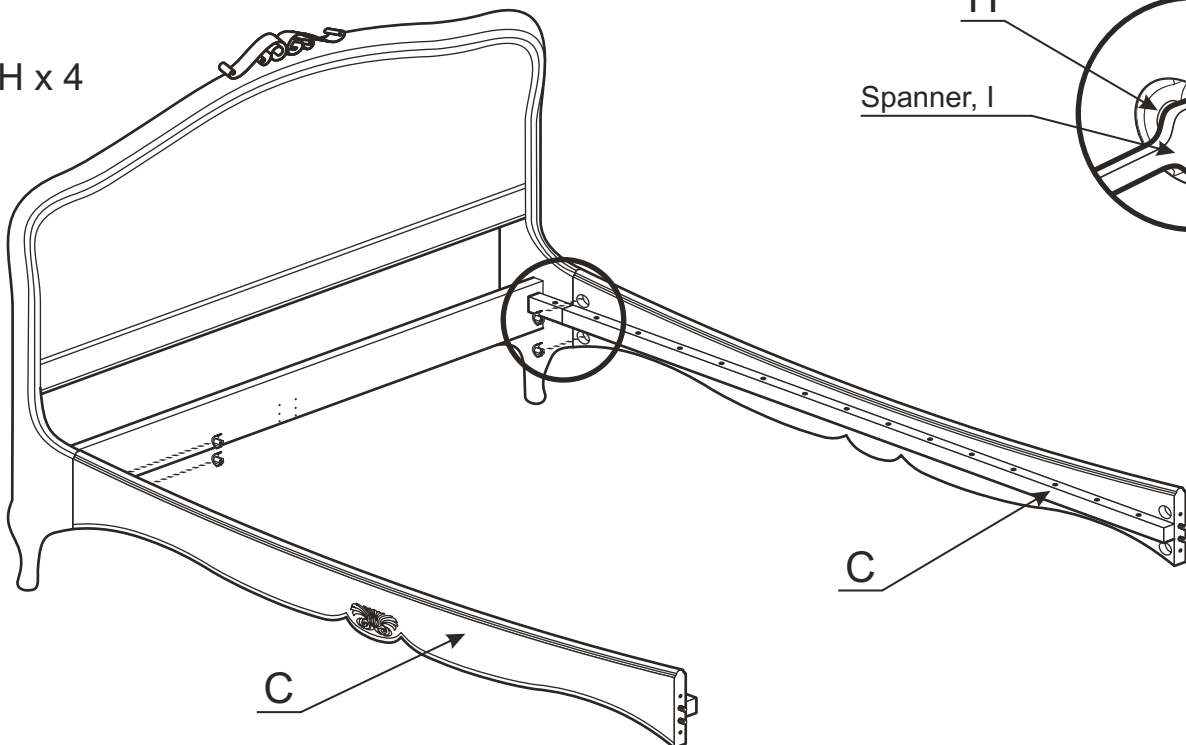
B

**Step 2** - Locate the side rails onto the threads protruding from the headboard. Locate the washers and nuts onto the threads and secure by hand at first. Tighten using the open ended spanner (Provided).

Fittings



H x 4



Spanner, I

H

C

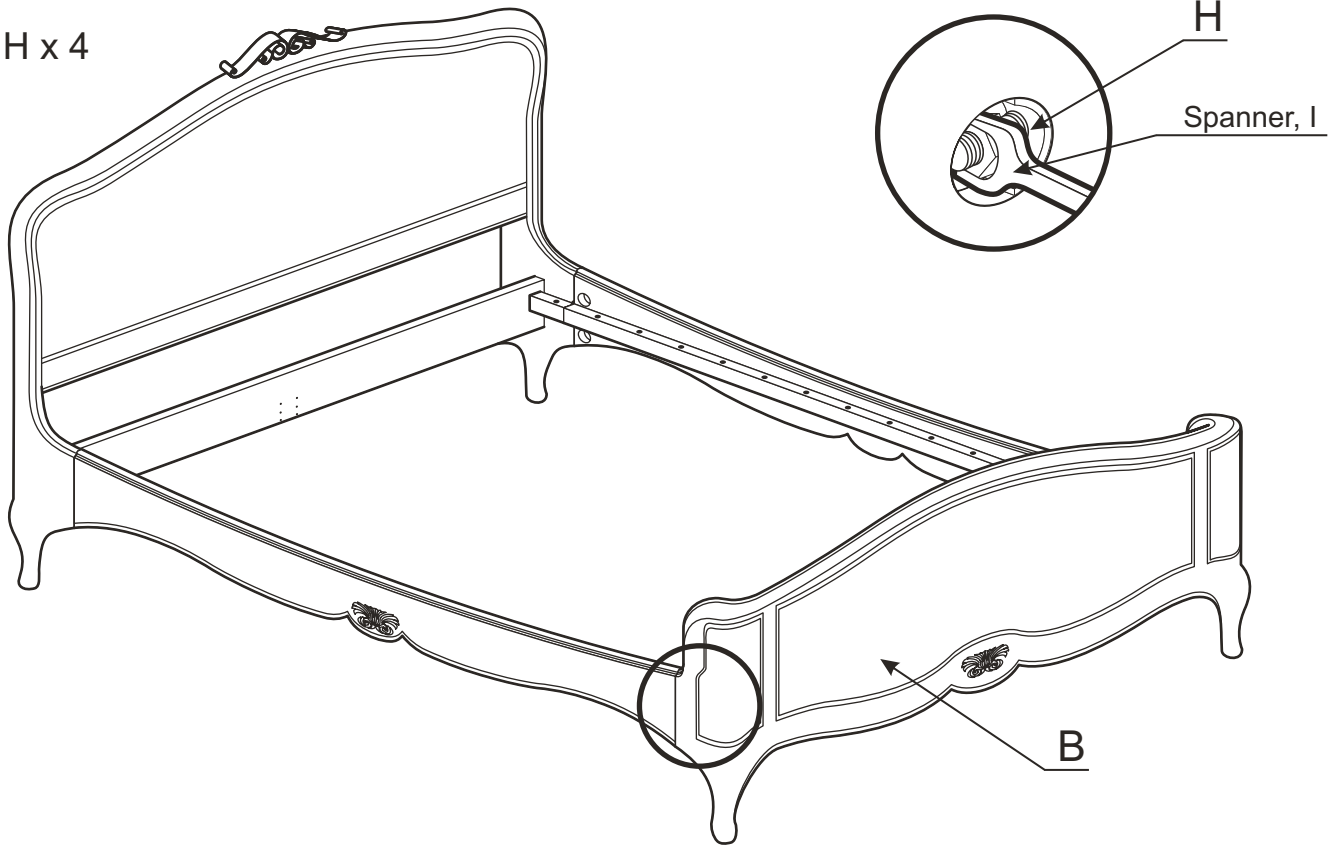
C

**Step 3** - Locate the side rails onto the threads protruding from the footboard. Locate the washers and nuts onto the threads and secure by hand at first. Tighten using the open ended spanner

Fittings



H x 4

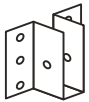


**Step 4** - Attach the brackets to the headboard and footboard using the 20mm screws inserted into the pre-drilled pilot holes. Tighten using a crosshead screwdriver.

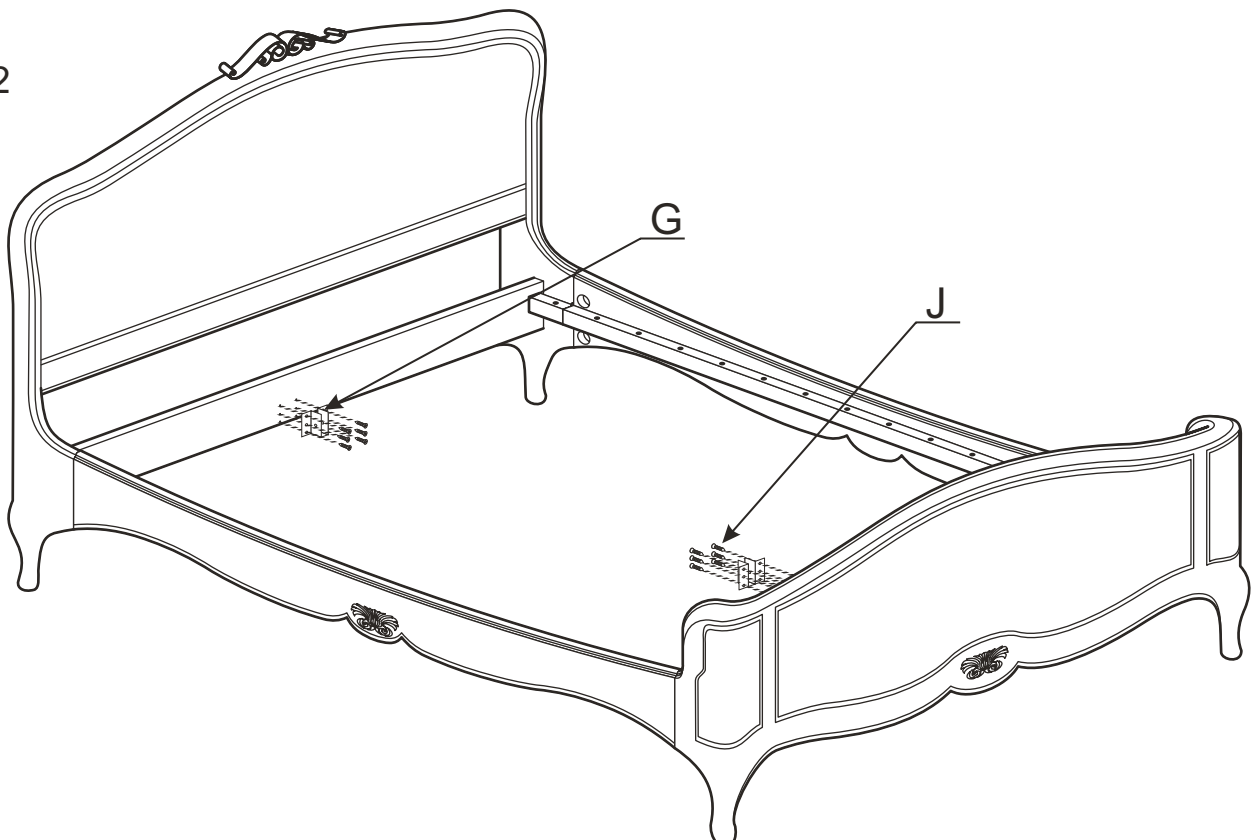
Fittings



J x 12




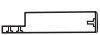


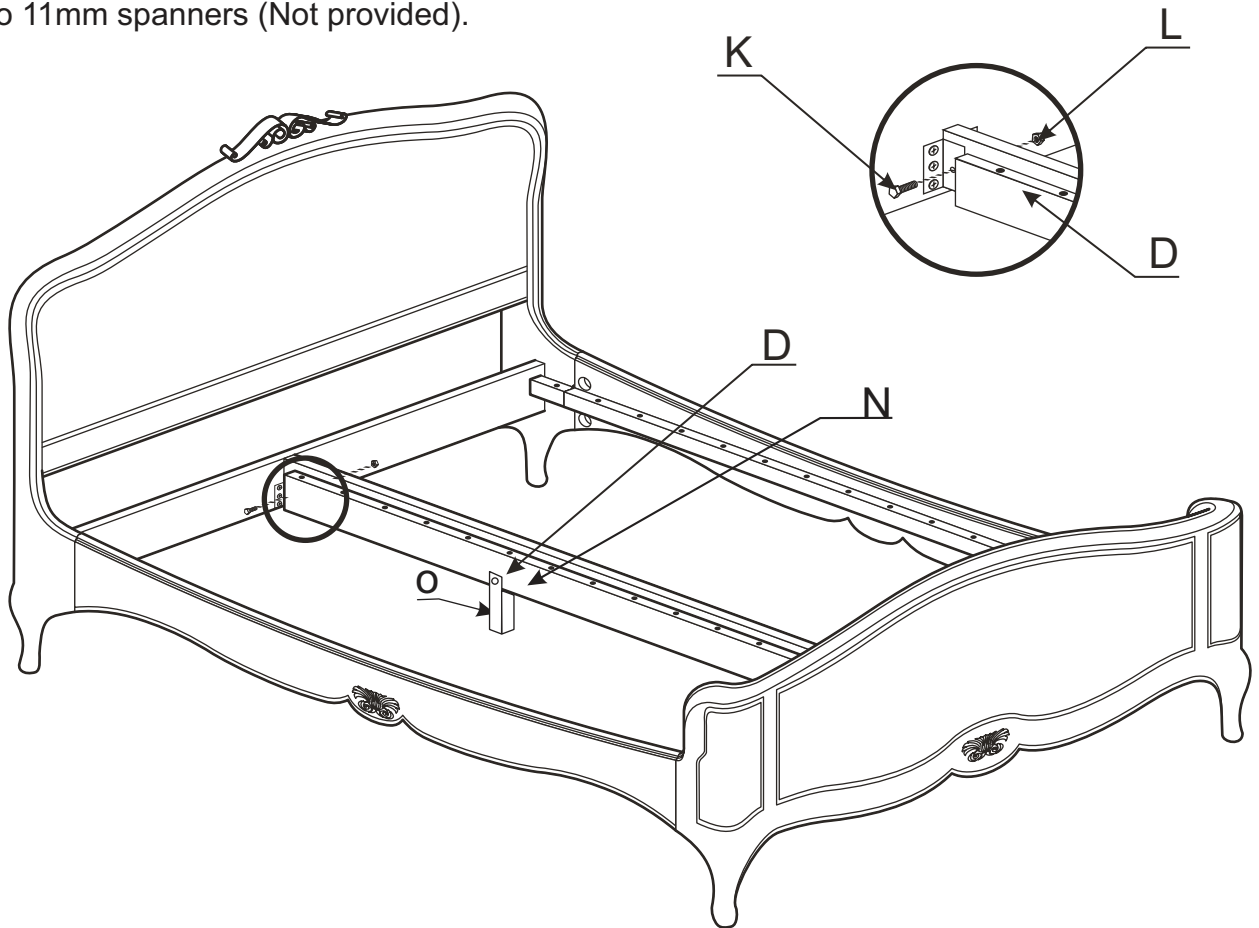
G x 2



**Step 5** - Attach the support leg (O) to the centre rail (D) using four 30mm CSK screws (N). Locate the centre rail into the brackets. Secure using the remaining nuts and bolts. Tighten using two 11mm spanners (Not provided).


Fittings

-  K x 2
-  L x 2
-  N x 4
-  O x 1



**Step 6** - Push fit two plastic caps onto either end of the slat. Push fit the slat into the pre-drilled pilot holes. It may help to push the slat flat and lightly tap the plastic cap with a soft hammer. Repeat this step with the remaining slats. The assembly is now complete.

Fittings

-  135cm bedstead M x 64
- 150/180cm bedstead M x 68

